



香港中文大學

The Chinese University of Hong Kong

CSCI2510 Computer Organization

Lecture 10: Basic Processing Unit

Ming-Chang YANG

mcyang@cse.cuhk.edu.hk

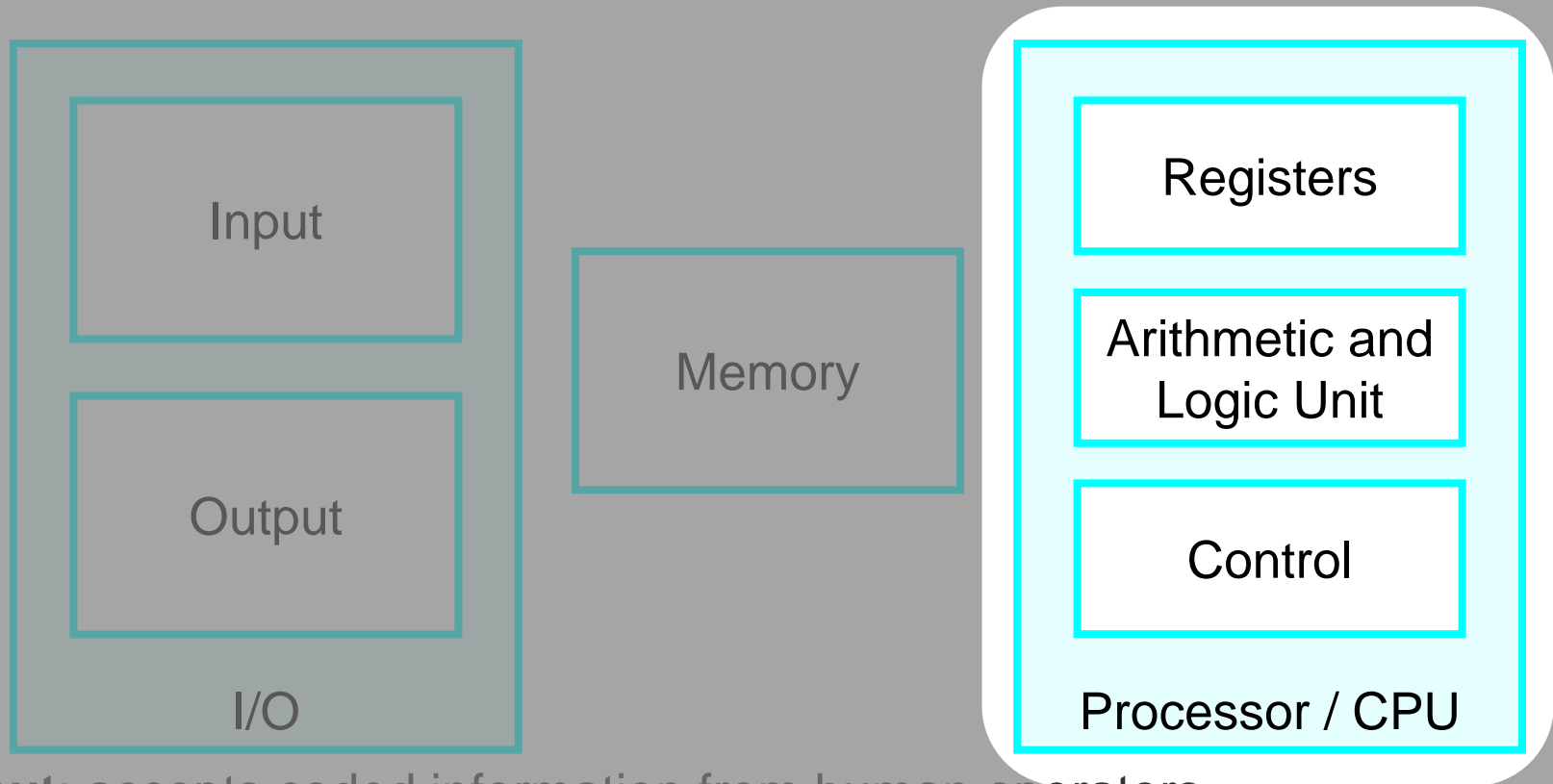
COMPUTER
ORGANIZATION



Carl Hamacher
Zoran Vranasic
Suvrat S. Kulkarni

Reading: Chap. 7.1~7.3 (5th Ed.)

Basic Functional Units of a Computer



- **Input:** accepts coded information from human operators.
- **Memory:** stores the received information for later use.
- **Processor:** executes the **instructions** of a **program** stored in the memory.
- **Output:** sends back to the outside world.
- **Control:** coordinates all of these actions.

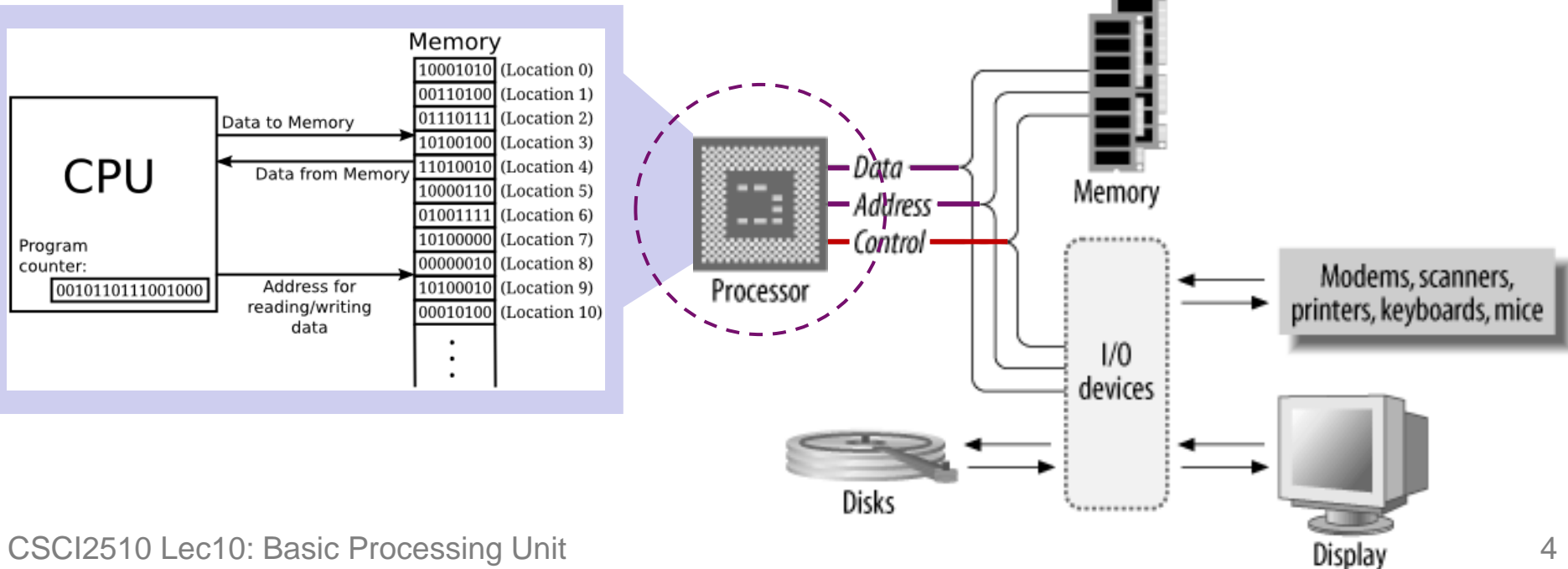


- Processor Internal Structure
- Instruction Execution
 - Fetch Phase
 - Execute Phase
- Execution of A Complete Instruction
- Multiple-Bus Organization

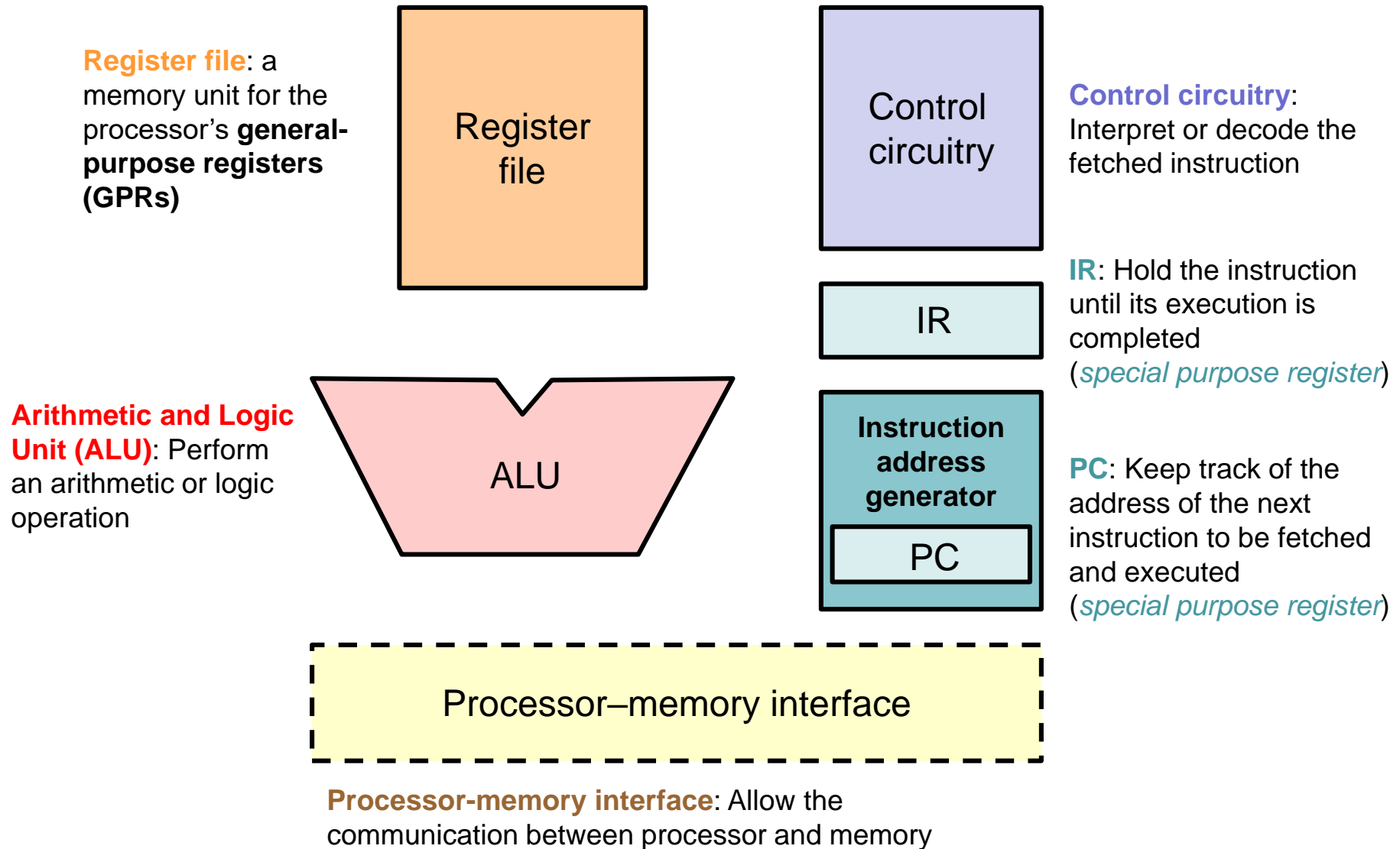
Basic Processing Unit: Processor



- Executes machine-language instructions.
- Coordinates other units in a computer system.
- Often be called the central processing unit (CPU).
 - The term “central” is no longer appropriate today.
 - Today’s computers often include several processing units.
 - E.g., multi-core processor, graphic processing unit (GPU), etc.



Main Components of a Processor

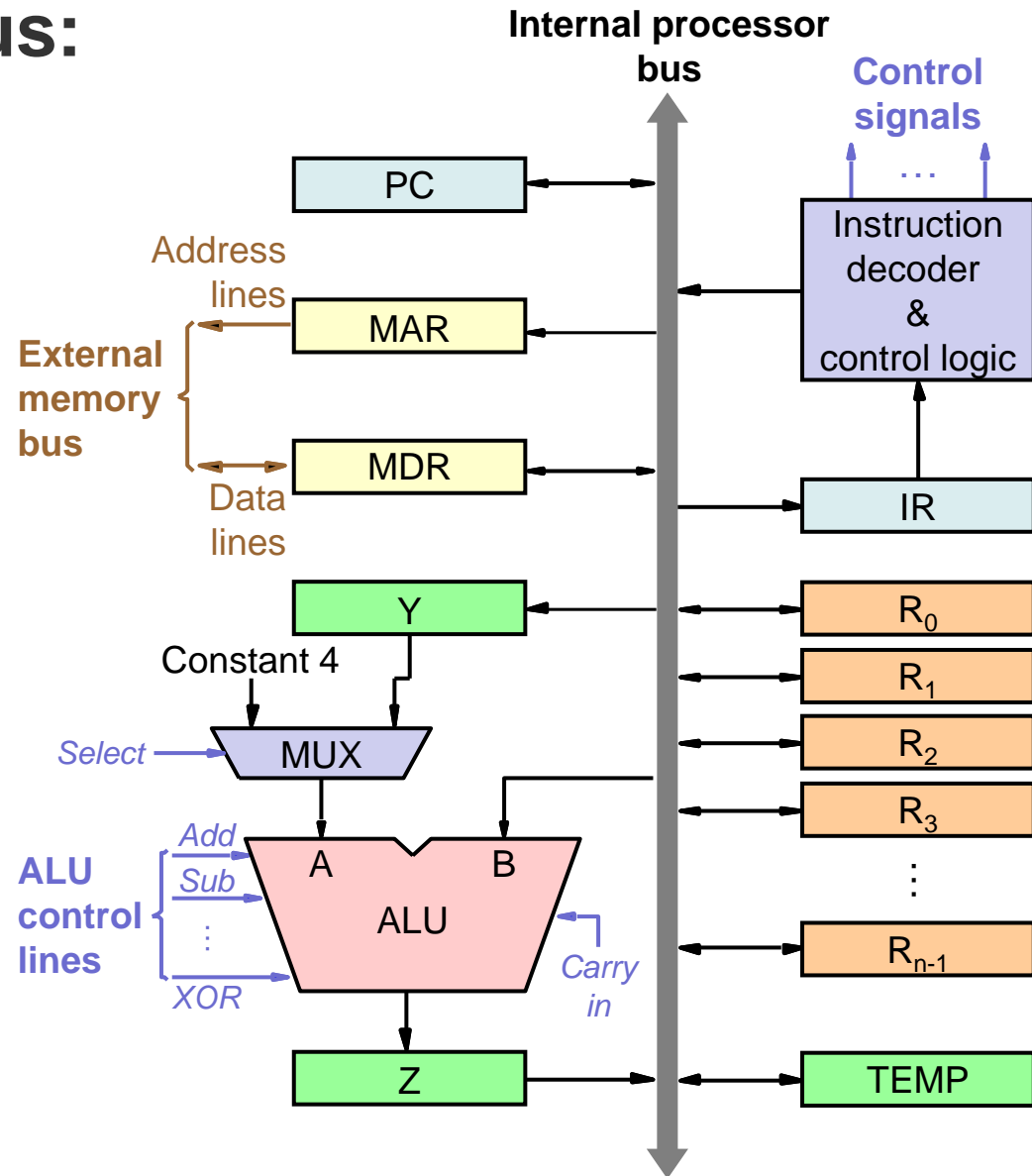


Processor Internal: Internal Bus (1/2)



- **Internal Processor Bus:**

- ALU, control circuitry, and all the registers are **interconnected** via a **single common bus**.



Processor Internal: Internal Bus (2/2)

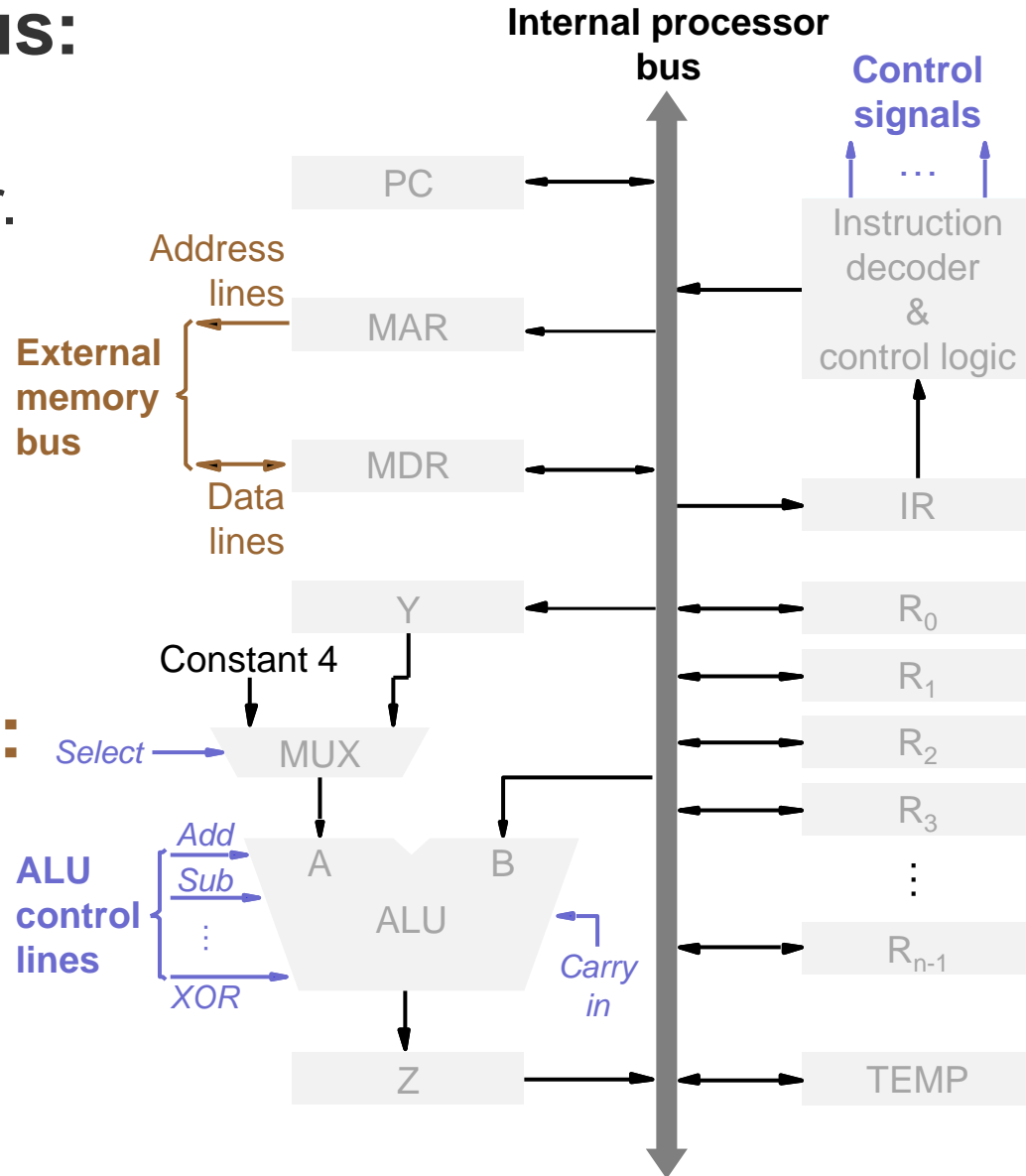


- **Internal Processor Bus:**

- The common bus is internal to the processor.
 - i.e., only visible to the processor.
- **Black** parts: data path
- **Blue** parts: control path

- **External Memory Bus:**

- **Brown** part: external memory path (**NOT** internal processor bus!)



Processor Internal: External Bus (1/2)

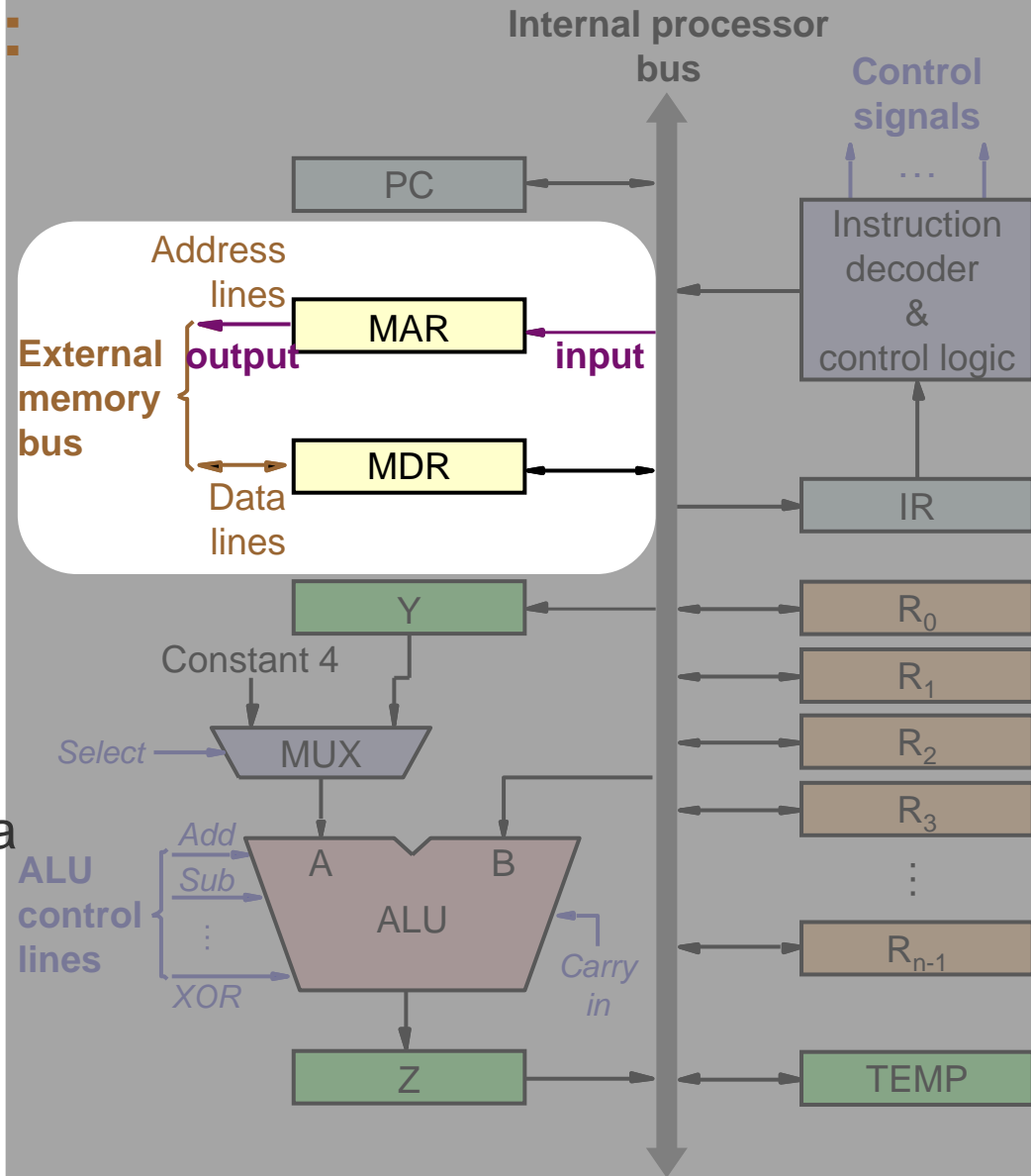


- **External Memory Bus:**

- **Processor-memory interface:** External memory bus are controlled through MAR and MDR.

- **MAR:** Specify the requested memory address

- **Input:** Address is specified by processor via internal processor bus.
- **Output:** Address is send to the memory via external memory bus.

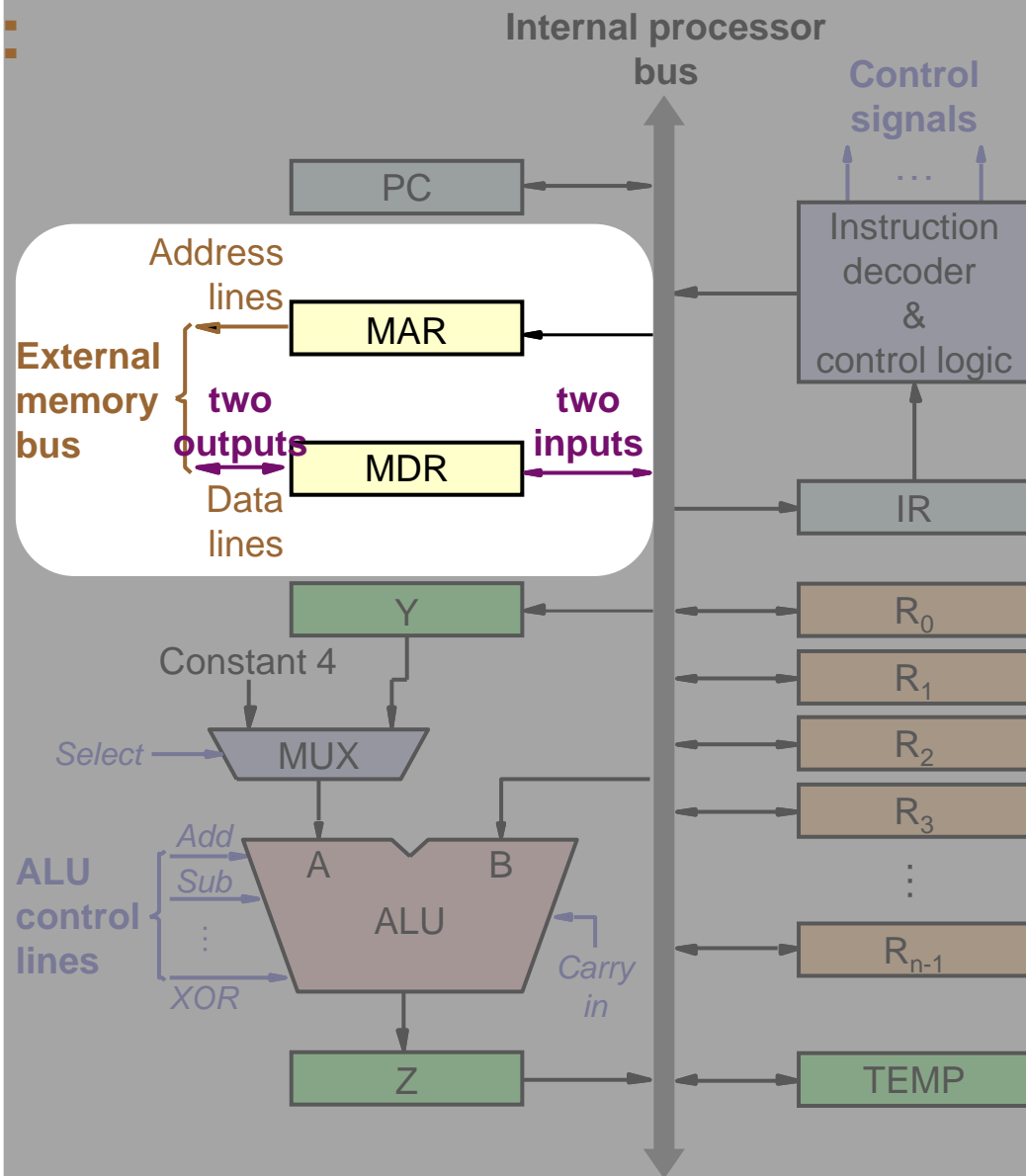


Processor Internal: External Bus (2/2)



External Memory Bus:

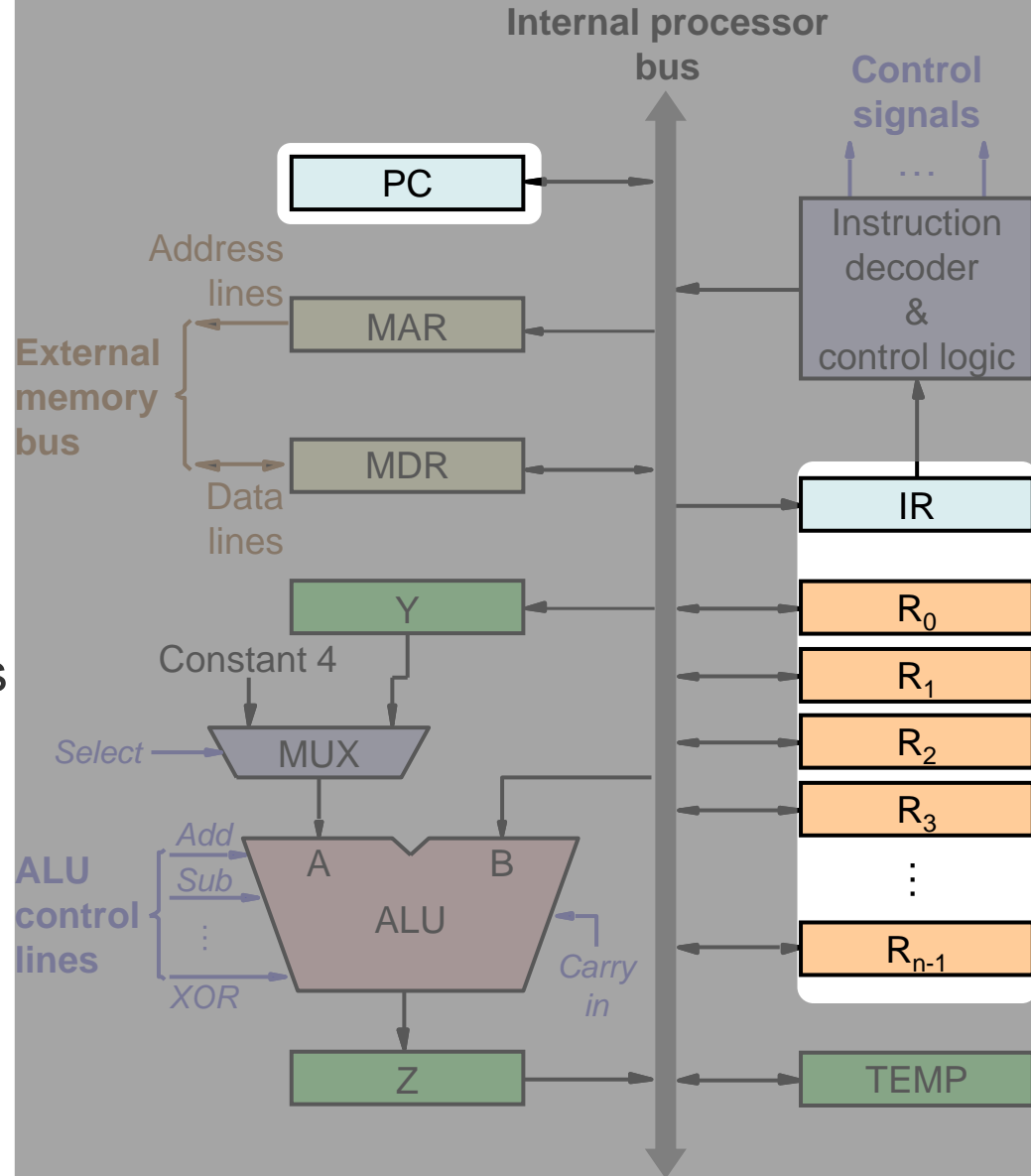
- **MDR:** Keep the content of the requested memory address
 - There are **two inputs** and **two outputs** for MDR.
 - **Inputs:** Data may be placed into MDR either
 - From the internal processor bus or
 - From the external memory bus.
 - **Outputs:** Data stored in MDR may be loaded from either bus.



Processor Internal: Register (1/2)



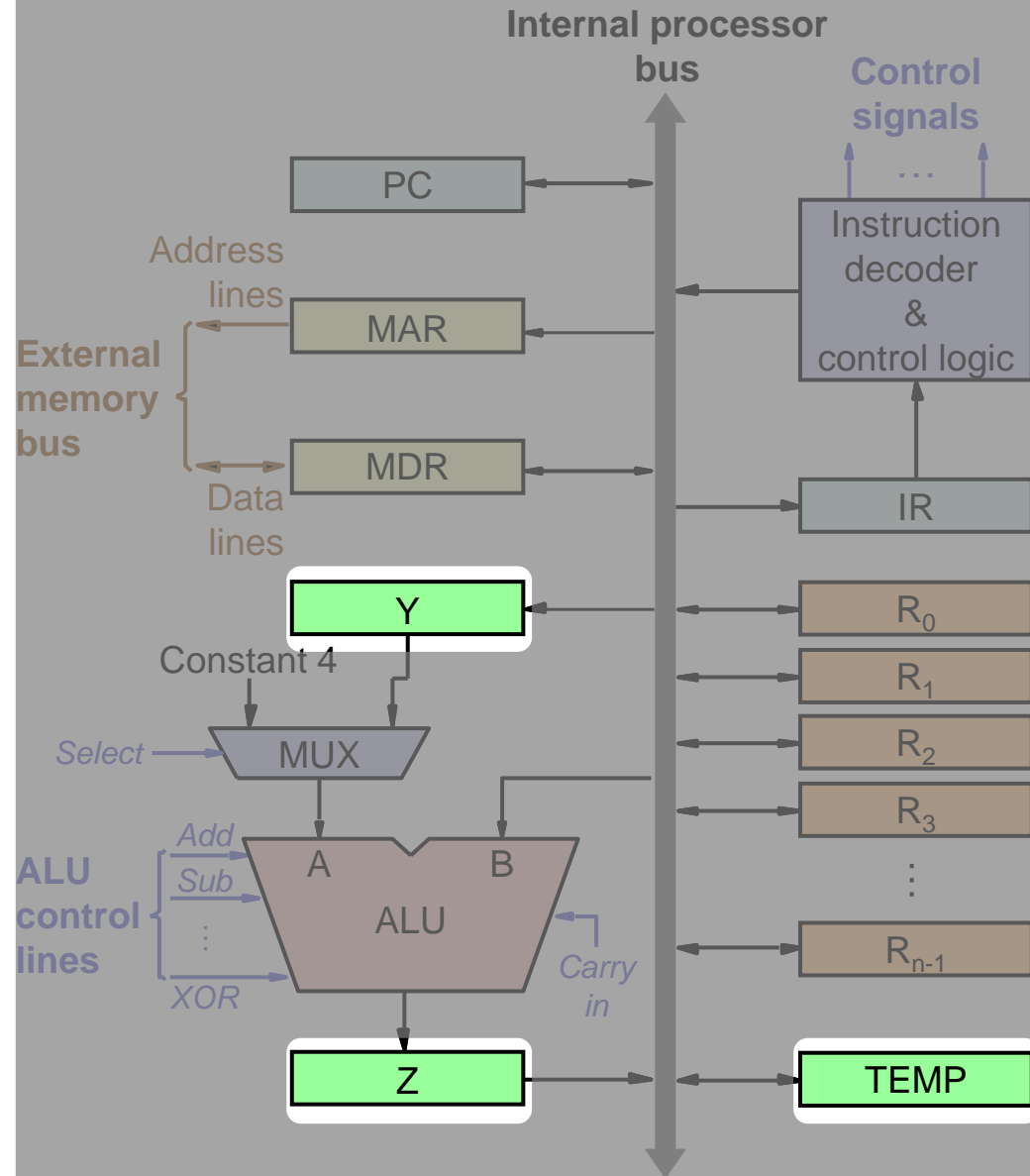
- **General-Purpose Registers:**
 - R_0 through R_{n-1}
 - n varies from one processor to another.
- **Special Registers:**
 - **Program Counter**
 - Keep track of the address of the next instruction to be fetched and executed.
 - **Instruction Register**
 - Hold the instruction until the current execution is completed.



Processor Internal: Register



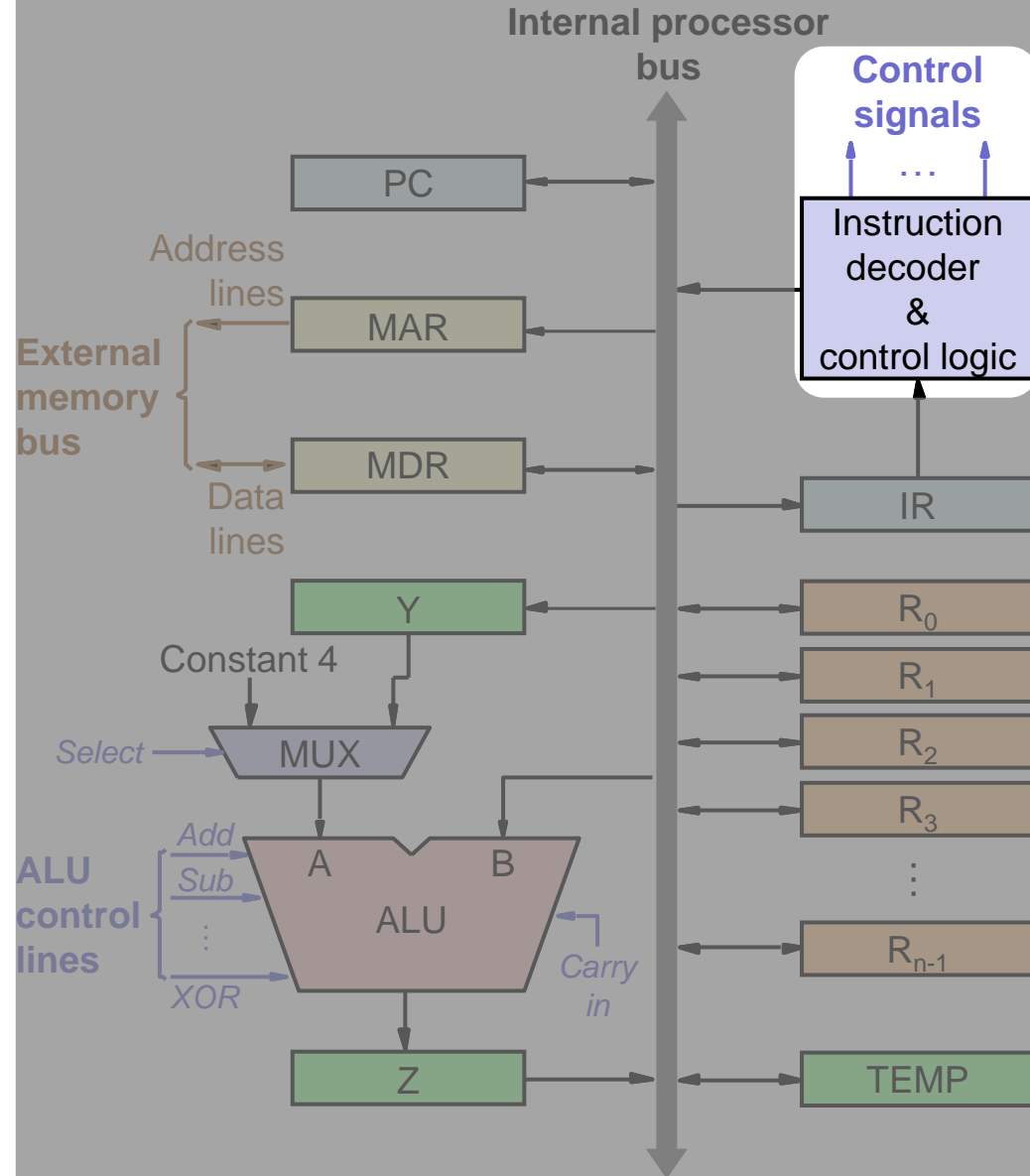
- **Special Registers: Y, Z, & TEMP**
 - Transparent to the programmer.
 - **Used** by the processor for temporary storage during execution of some instructions.
 - **Never used** for storing data generated by one instruction for later use by another instruction.
 - *We will introduce their functionalities later.*



Processor Internal: Control Circuitry



- **Instruction decoder:**
 - Interpret the fetched instruction stored in the IR register.
- **Control logic:**
 - Issue control signals to control the all the units inside the processor.
 - E.g., ALU control lines, select signal for MUX, carry-in for ALU, etc.
 - Interact with the external memory bus.



Processor Internal: Internal Bus



- **Arithmetic and Logic Unit (ALU):**

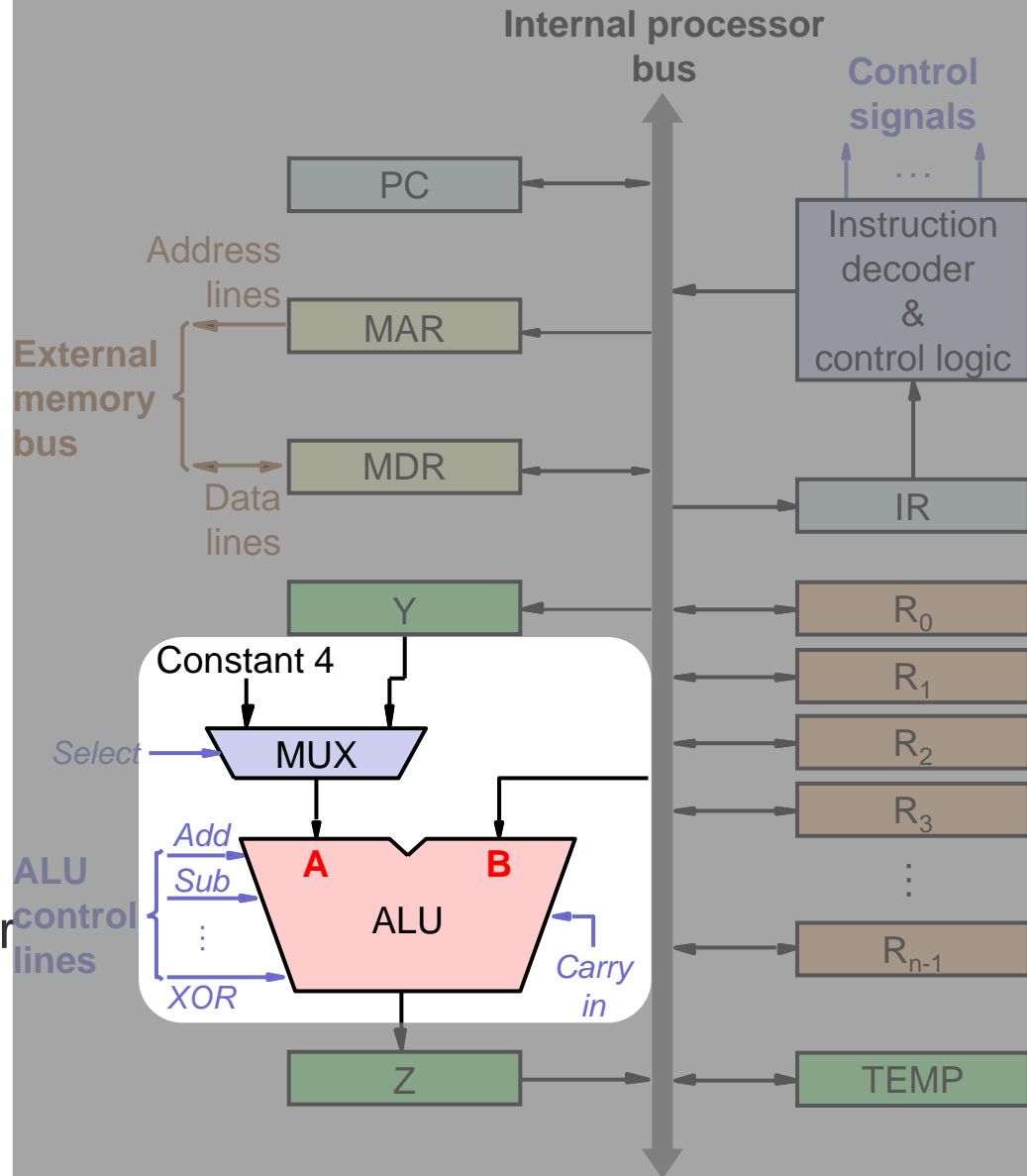
- Perform arithmetic or logic operation

$$Z = A \text{ operator } B$$

- Two inputs **A** and **B**
- One output to register **Z**

- **Multiplexer (MUX):**

- The **input A** of ALU:
Select (ctrl line) either
 - The output of register Y or
 - A constant value 4 (for incrementing PC).





- Processor Internal Structure
- **Instruction Execution**
 - Fetch Phase
 - Execute Phase
- Execution of A Complete Instruction
- Multiple-Bus Organization

Recall: Register Transfer Notation



- Register Transfer Notation (RTN) describes the data transfer from one location in computer to another.
 - Possible locations: memory locations, processor registers.
 - Locations can be identified **symbolically** with names (e.g. LOC).

Ex.

R2 ← **[LOC]**

- *Transferring the contents of memory LOC into register R2.*

- ① **Contents of any location**: denoted by placing square brackets **[]** around its location name (e.g. **[LOC]**).
- ② **Right-hand side** of RTN: always denotes a **value**
- ③ **Left-hand side** of RTN: the name of a **location** where the value is to be placed (by overwriting the old contents)

Instruction Execution (1/3)



1) Fetch Phase

– $IR \leftarrow [[PC]]$

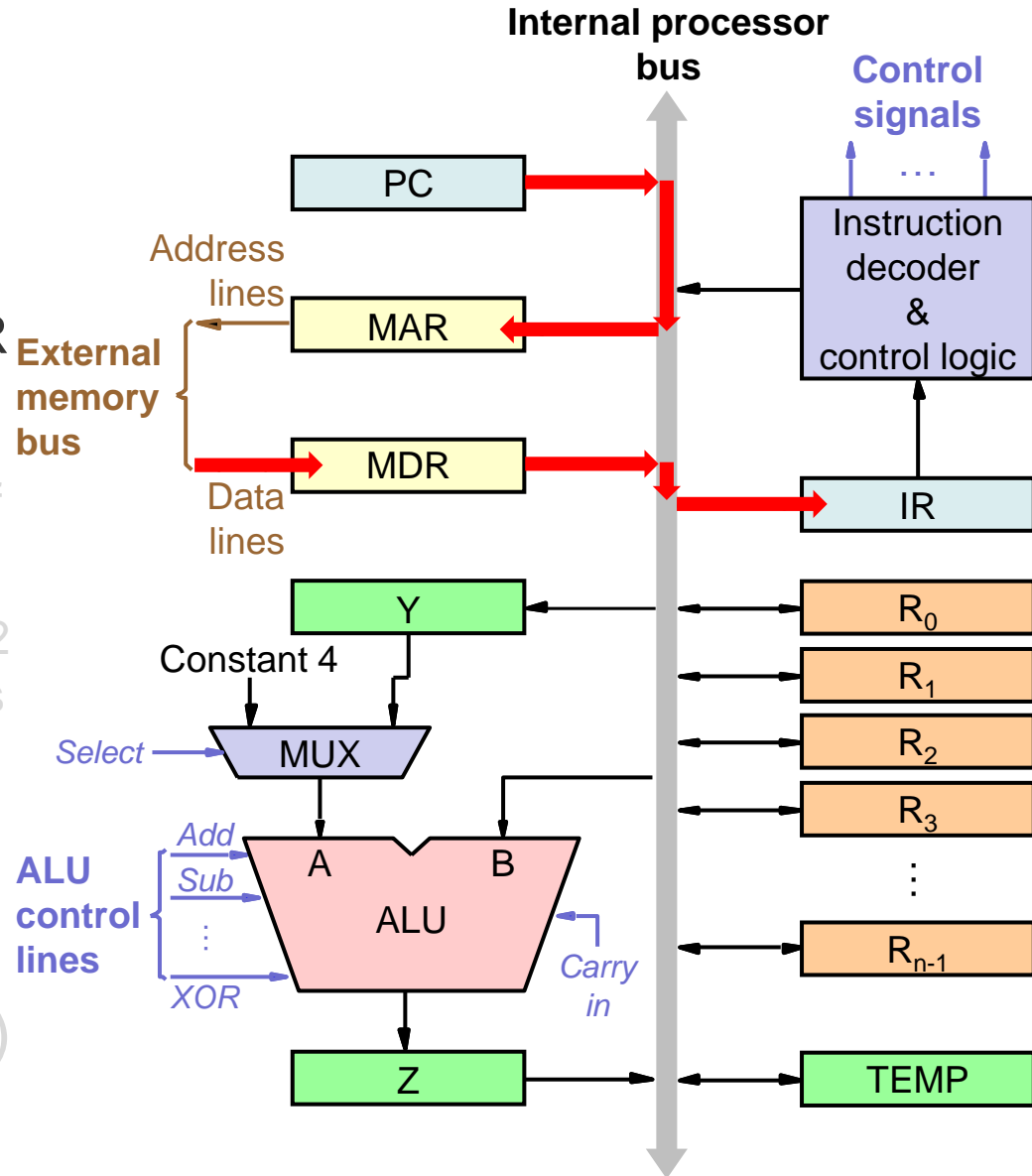
- Fetch the contents of the memory location pointed to by PC, and load into IR

– $PC \leftarrow [PC]+4$

- Increment the contents of PC by 4.
 - Why 4? Instruction is 32 bits (4B) and memory is byte addressable.

2) Execute Phase

- Decode instruction in IR
- Perform the operation(s)

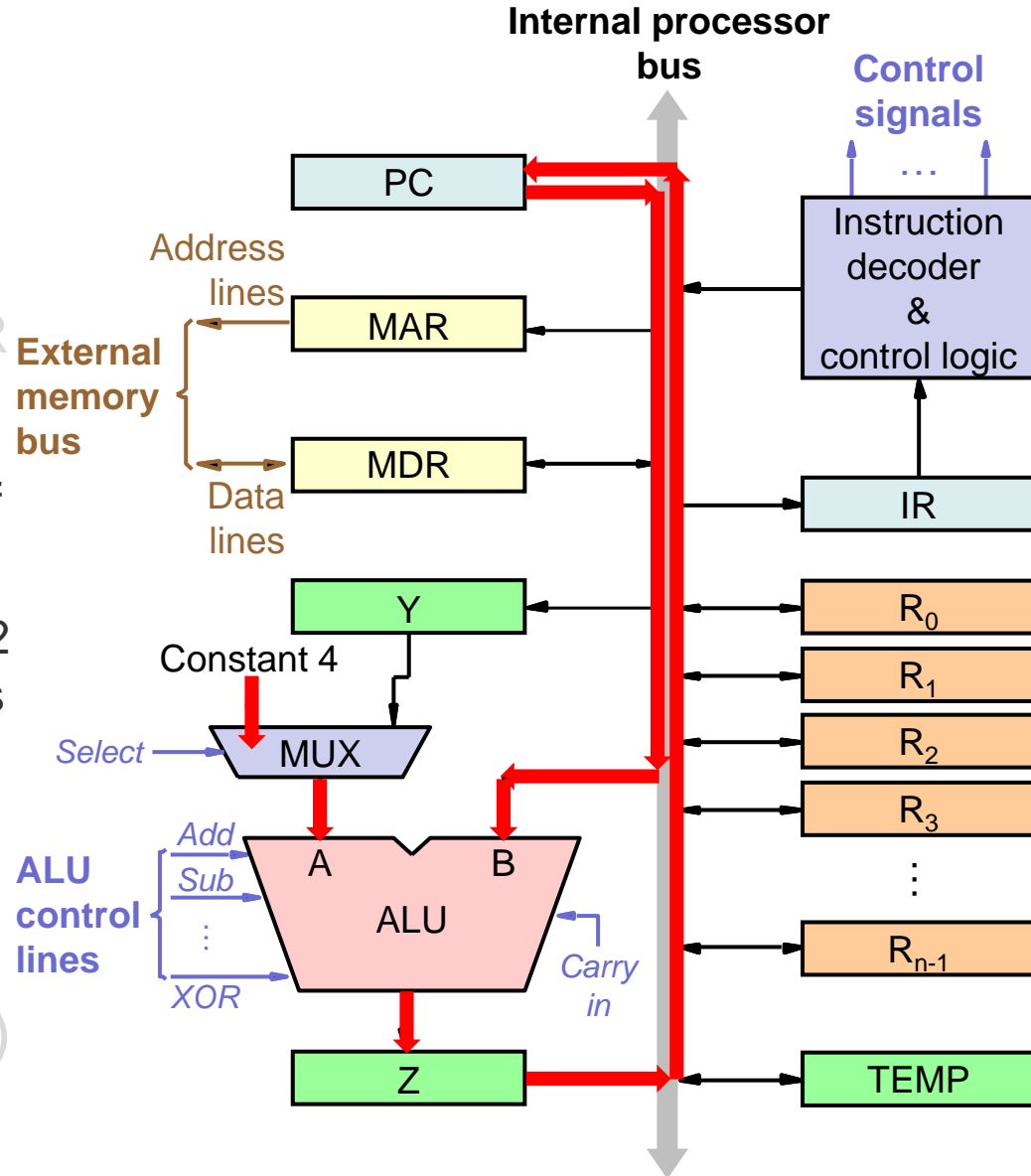


Instruction Execution (2/3)



1) Fetch Phase

- $IR \leftarrow [[PC]]$
 - Fetch the contents of the memory location pointed to by PC, and load into IR
- $PC \leftarrow [PC]+4$
 - Increment the contents of PC by 4.
 - Why 4? Instruction is 32 bits (4B) and memory is byte addressable.



2) Execute Phase

- Decode instruction in IR
- Perform the operation(s)

Instruction Execution (3/3)

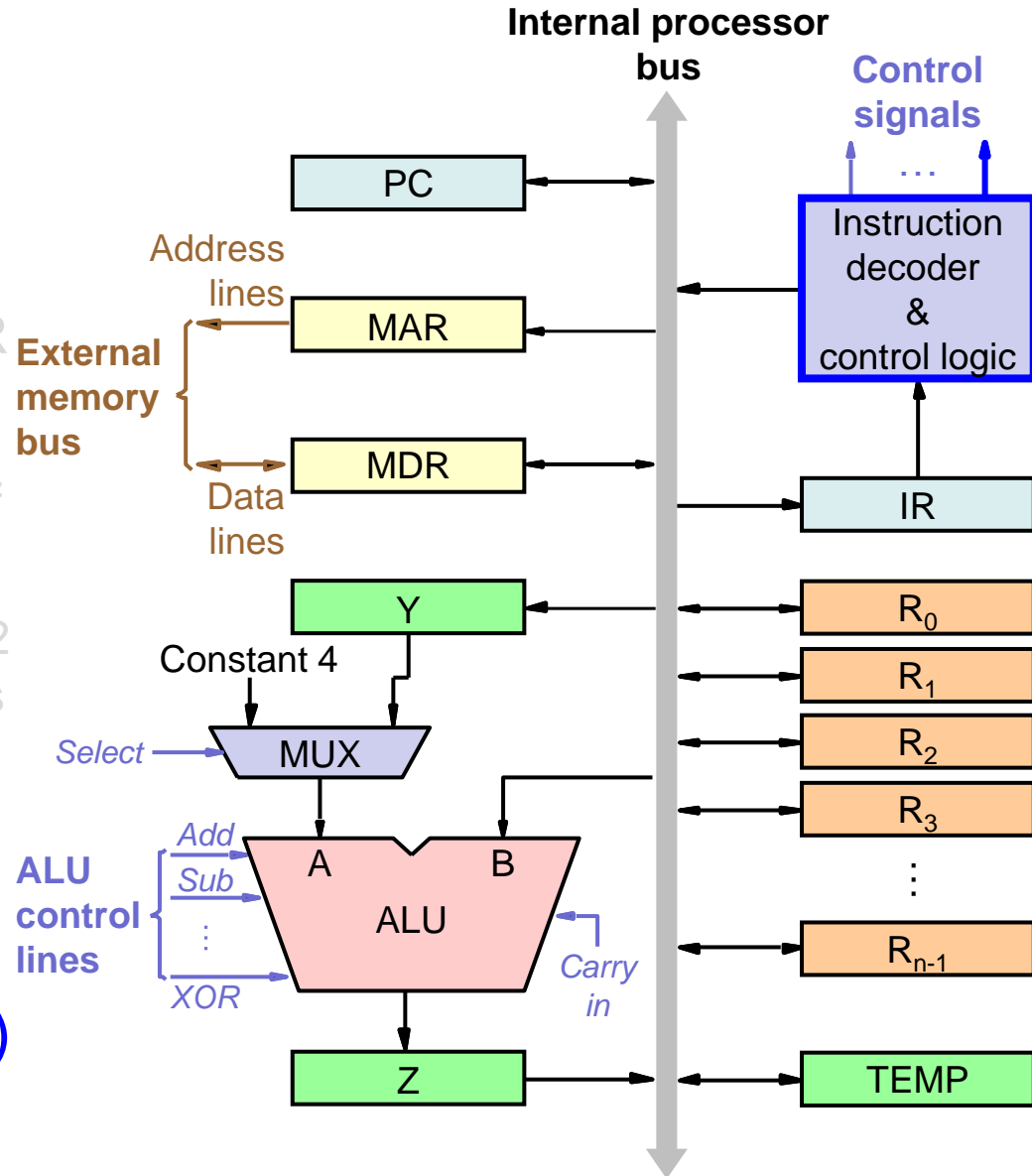


1) Fetch Phase

- $IR \leftarrow [[PC]]$
 - Fetch the contents of the memory location pointed to by PC, and load into IR
- $PC \leftarrow PC+4$
 - Increment the contents of PC by 4.
 - Why 4? Instruction is 32 bits (4B) and memory is byte addressable.

2) Execute Phase

- Decode instruction in IR
- Perform the operation(s)



Instruction Execution: Execute Phase



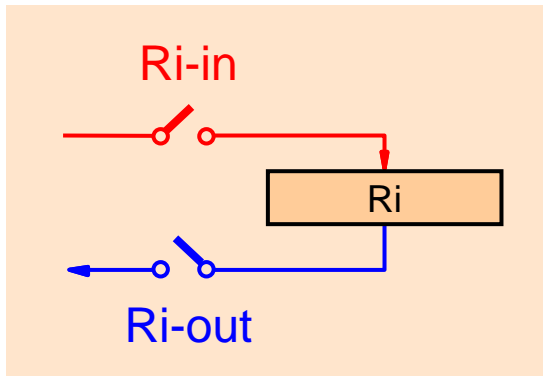
- An instruction can be executed by performing one or more of the following operation(s):
 - 1) **Transfer data** from a register to another register or to the ALU
 - 2) **Perform arithmetic** (or logic) **operations** and store the result into the special register Z
 - 3) **Load content** of a memory location to a register
 - 4) **Store content** of a register to a memory location
- **Sequence of Control Steps**: Describes how these operations are performed in processor step by step.



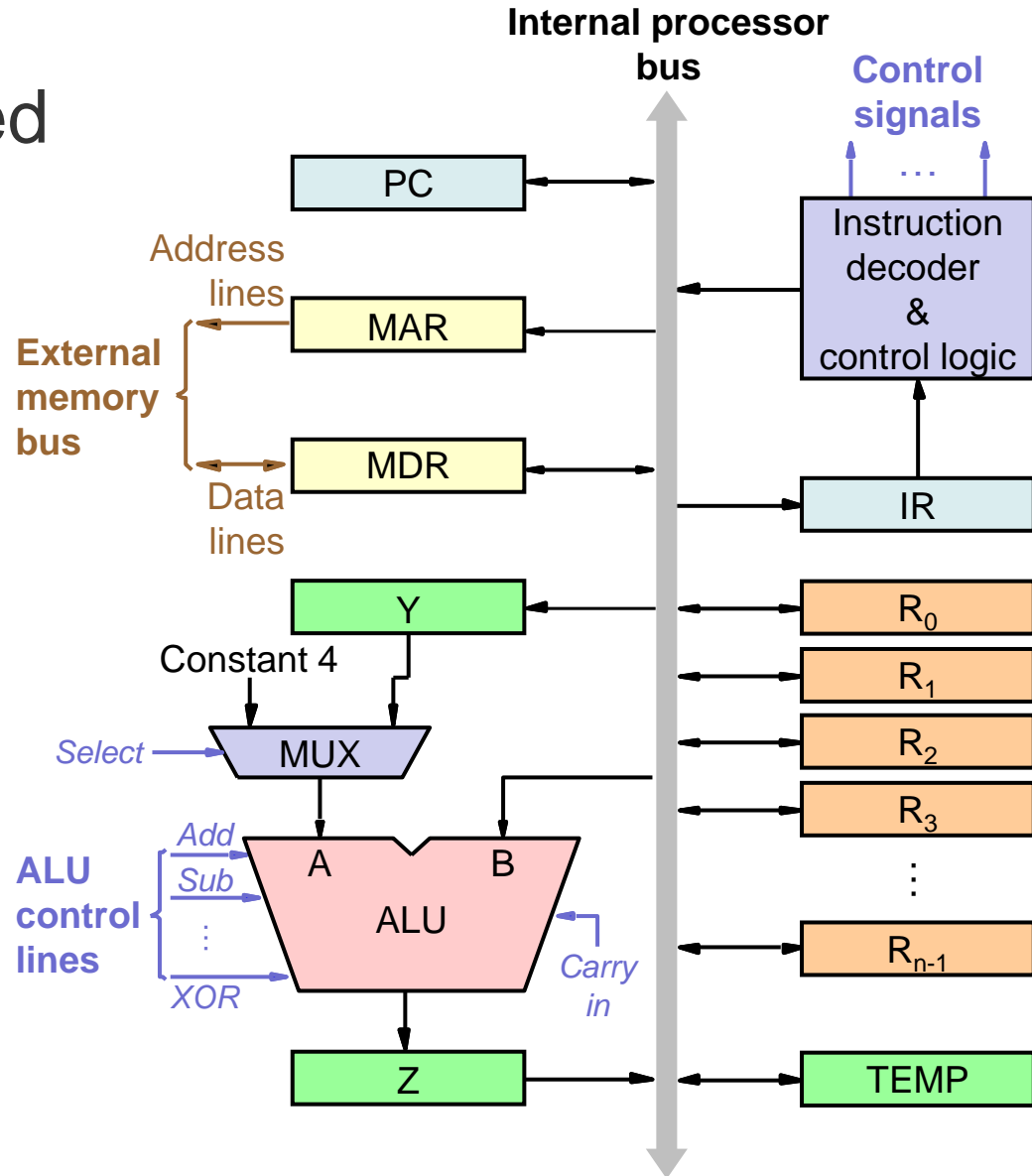
1) Register Transfer

- Input and output of register R_i are controlled by **switches** ($\text{---}\swarrow\circ\text{---}$):

- **$R_i\text{-in}$** : Allow data to be transferred into R_i



- **$R_i\text{-out}$** : Allow data to be transferred out from R_i



1) Register Transfer (Cont'd)



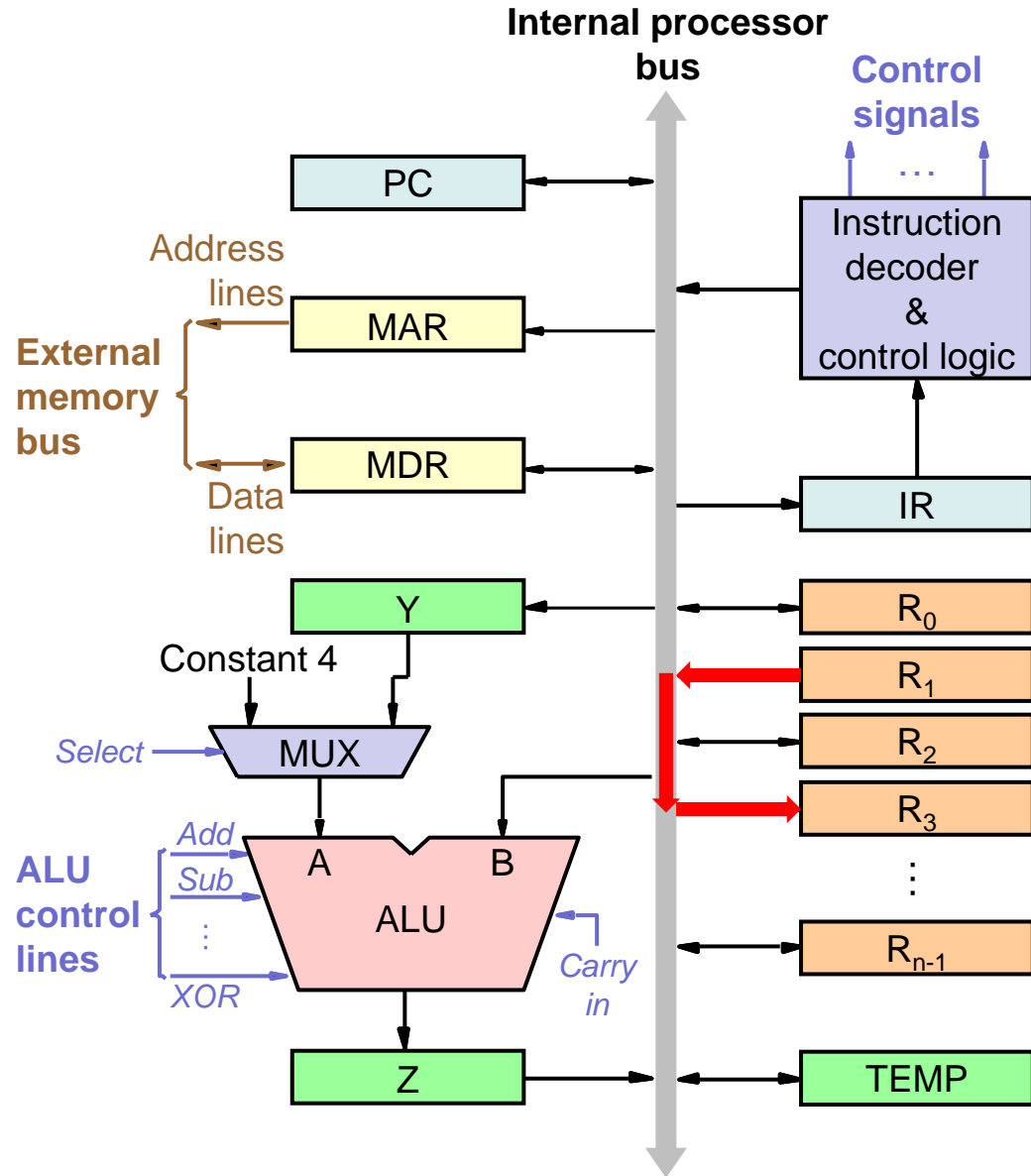
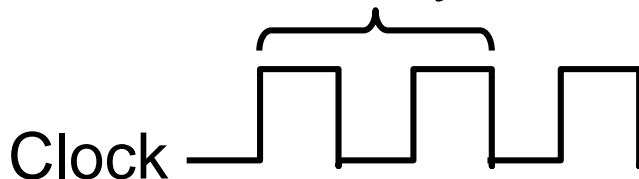
- Ex: $R3 \leftarrow [R1]$
 - ① Clock 1: R1-out, R3-in
 - Set R1-out to 1
 - Set R3-in to 1
 - Set all others to 0
 - ② Clock 2:
 - Reset R1-out to 0
 - Reset R3-in to 0

Sequence of Steps:

- ① R1-out, R3-in

Note: Only state "sets" for short.

- Recall: Clock Cycle

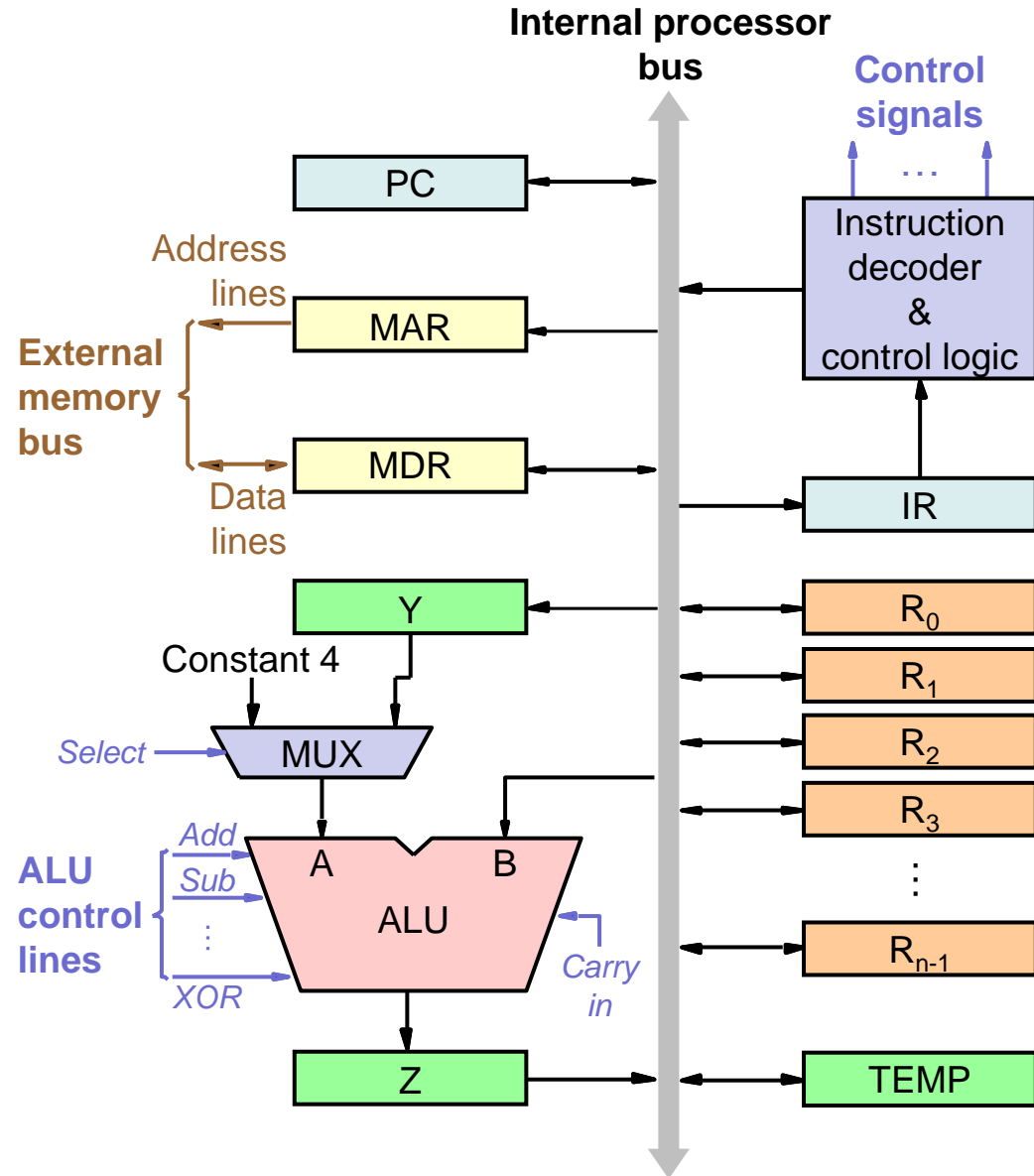


Class Exercise 10.1

Student ID: _____ Date: _____
Name: _____

- What is the sequence of steps for the following operation?

$R1 \leftarrow [R3]$



2) Arithmetic or Logic Operation

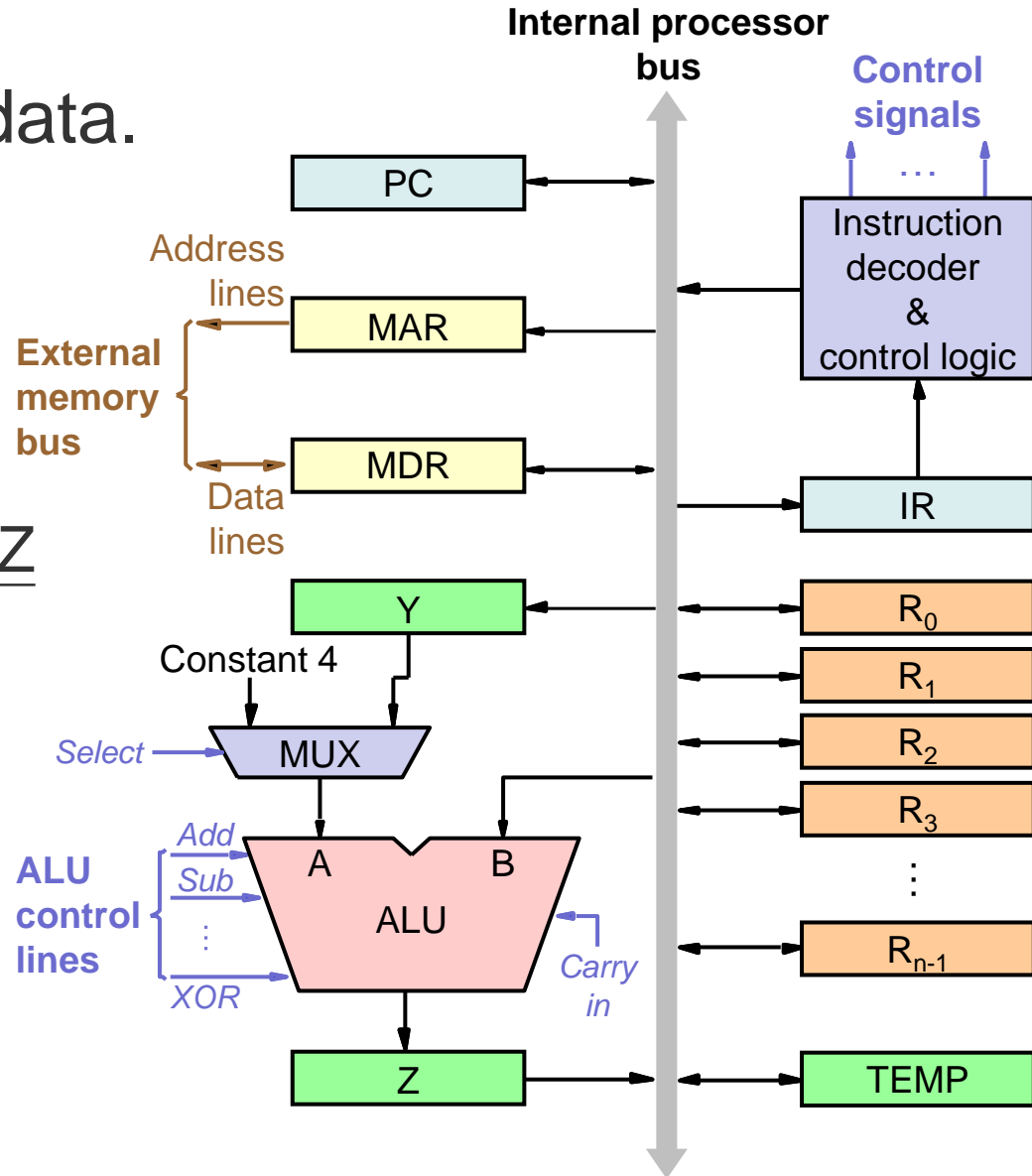


- **ALU**: A circuit without storage to manipulate data.
 - **Two inputs**: from A & B
 - A: #4 or register Y
 - B: Any other register
 - **ALU**: Perform operation
 - **One output**: to register Z

• Ex: $R3 \leftarrow [R1] + [R2]$

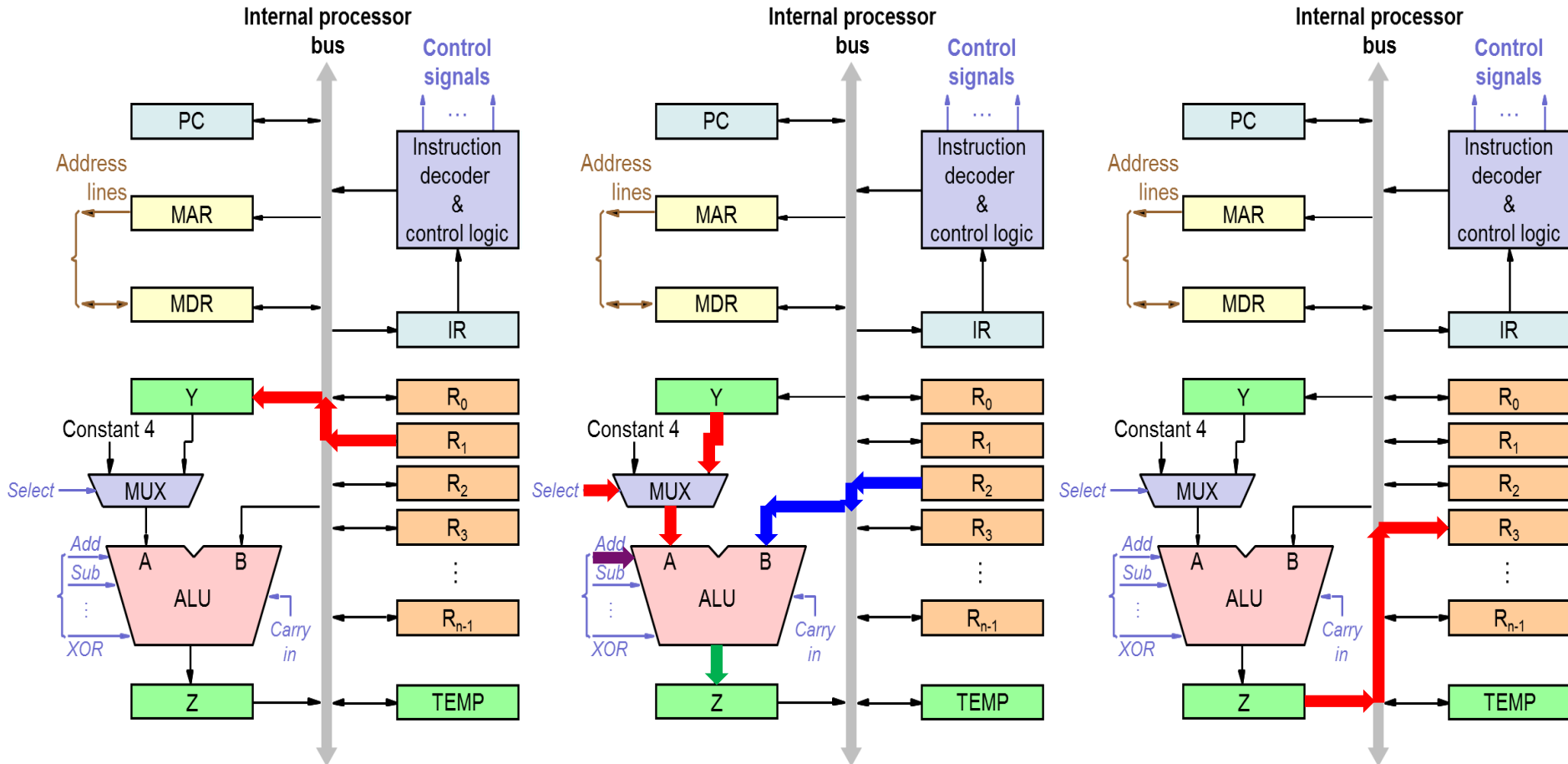
Sequence of Steps:

- ① R1-out, Y-in
- ② Select-Y, R2-out, B-in, Add, Z-in
- ③ Z-out, R3-in



2) Arithmetic or Logic Operation (Cont'd)

- Ex: $R3 \leftarrow [R1] + [R2]$



① R1-out, Y-in

② Select-Y
R2-out, B-in,
Add, Z-in

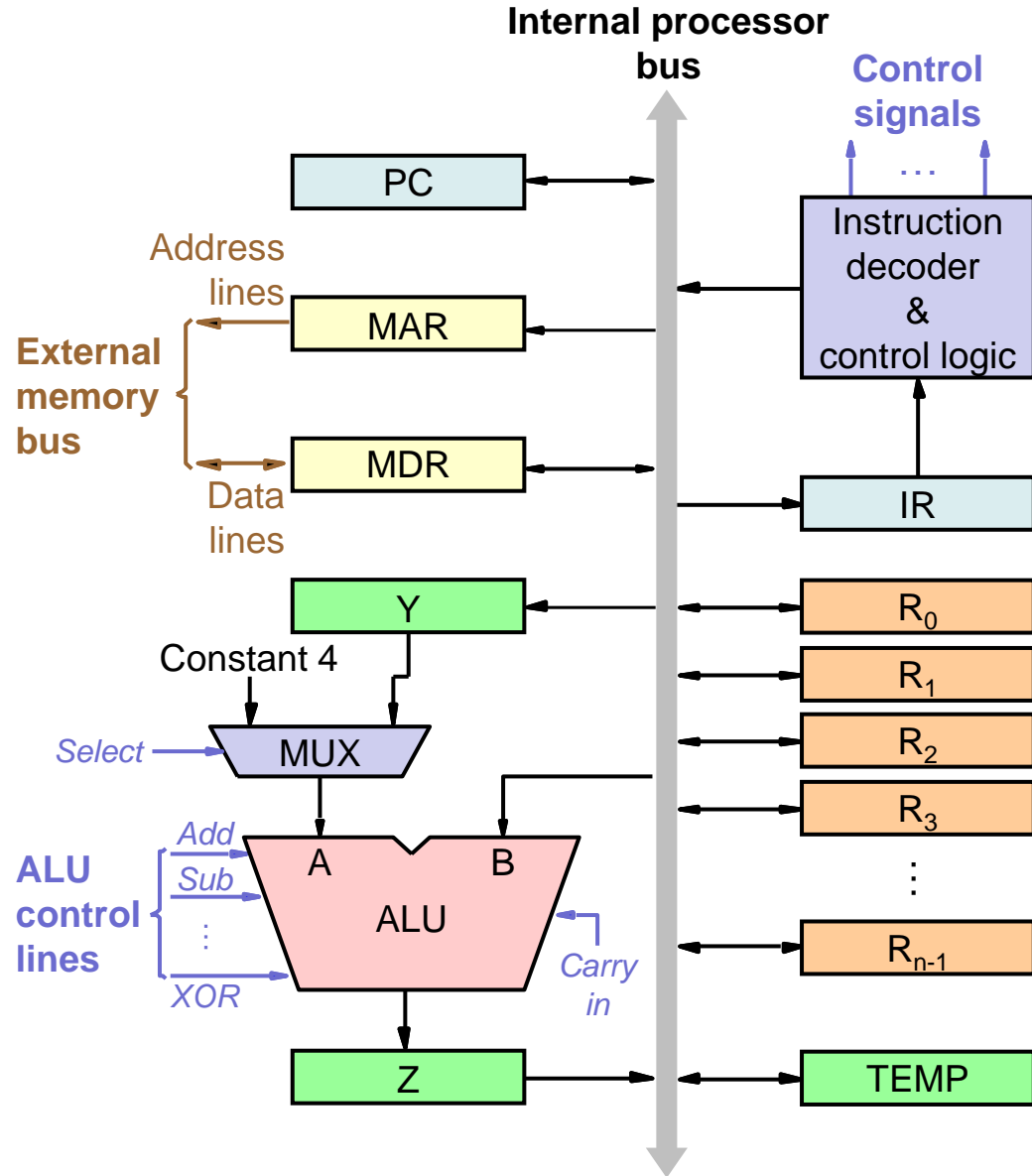
③ Z-out, R3-in

Class Exercise 10.2



- What is the sequence of steps for the following operation?

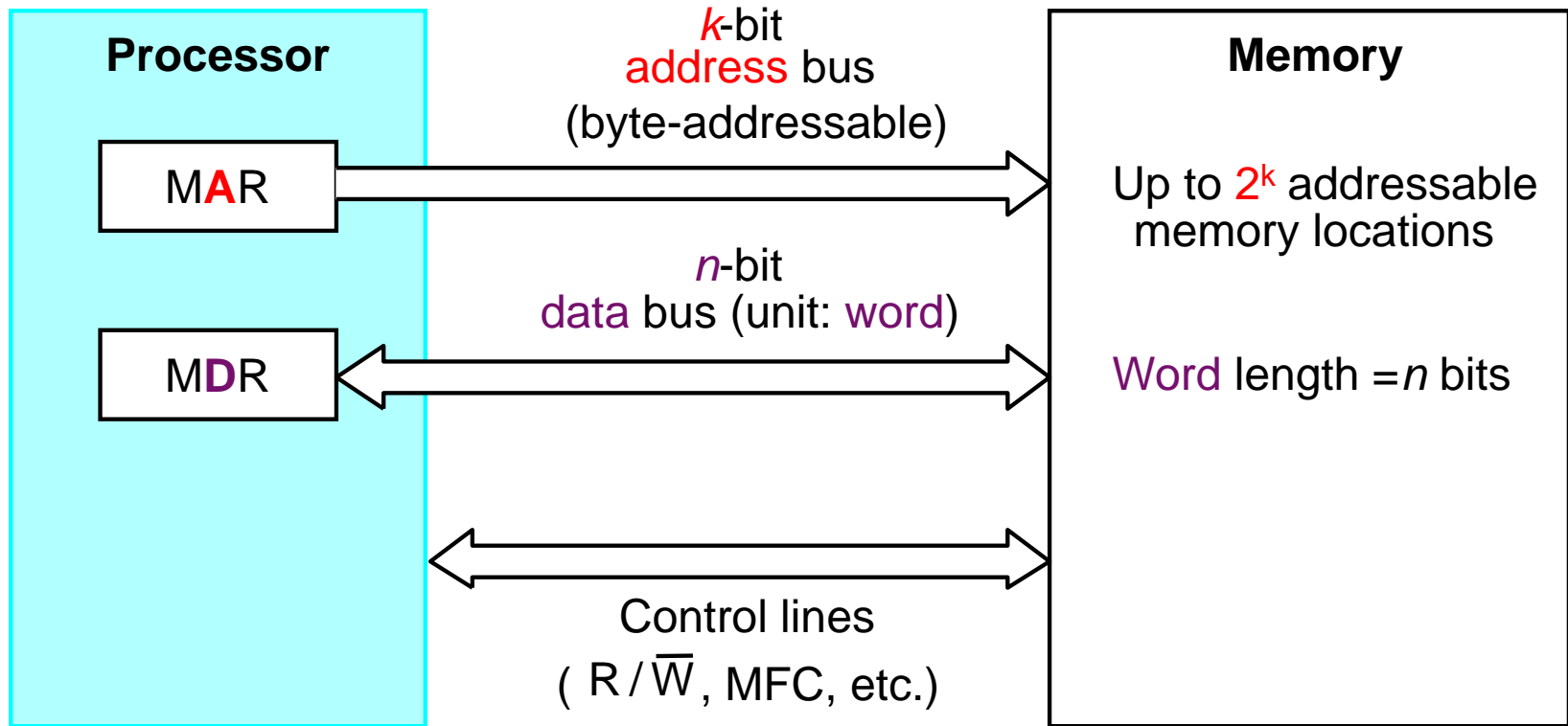
$$R6 \leftarrow [R4] - [R5]$$



Recall: Processor-Memory Interface



- Data transferring takes place through MAR and MDR.
 - **MAR**: Memory **A**ddress Register
 - **MDR**: Memory **D**ata Register



**MFC (Memory Function Completed): Indicating the requested operation has been completed.*

Recall: Assembly-Language Notation



- Assembly-Language Notation is used to represent machine instructions and programs.
 - An instruction must specify an **operation** to be performed and the **operands** involved.
 - **Ex.** The instruction that causes the transfer from memory location LOC to register R2:

Load R2, LOC

Load: operation;

LOC: source operand;

R2: destination operand.

*Some machines may put
destination last:*

operation src, dest

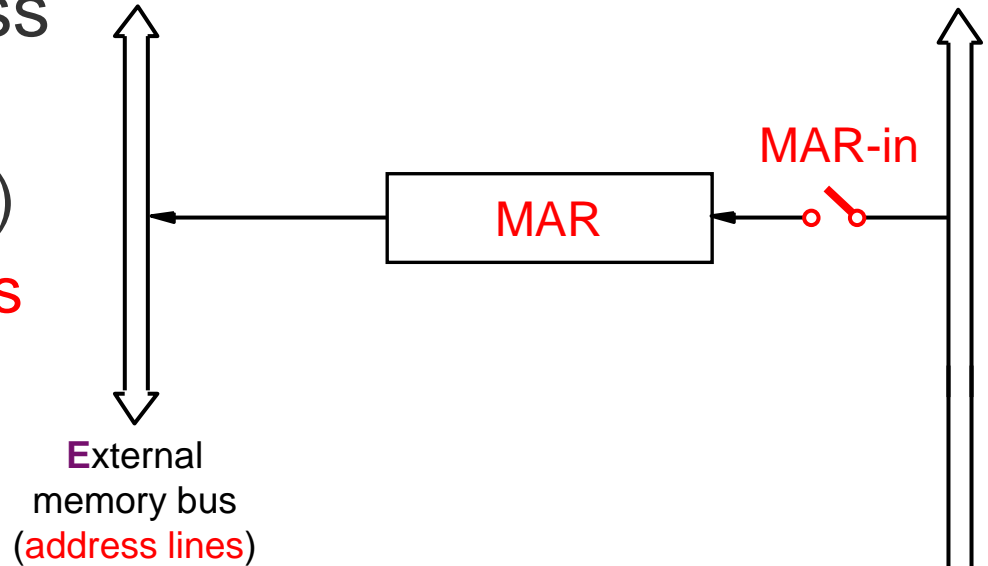
- Sometimes operations are defined by using **mnemonics**.
 - **Mnemonics**: abbreviations of the words describing operations
 - E.g. **Load** can be written as **LD**, **Store** can be written as **STR** or **ST**.

3) Loading Word from Memory



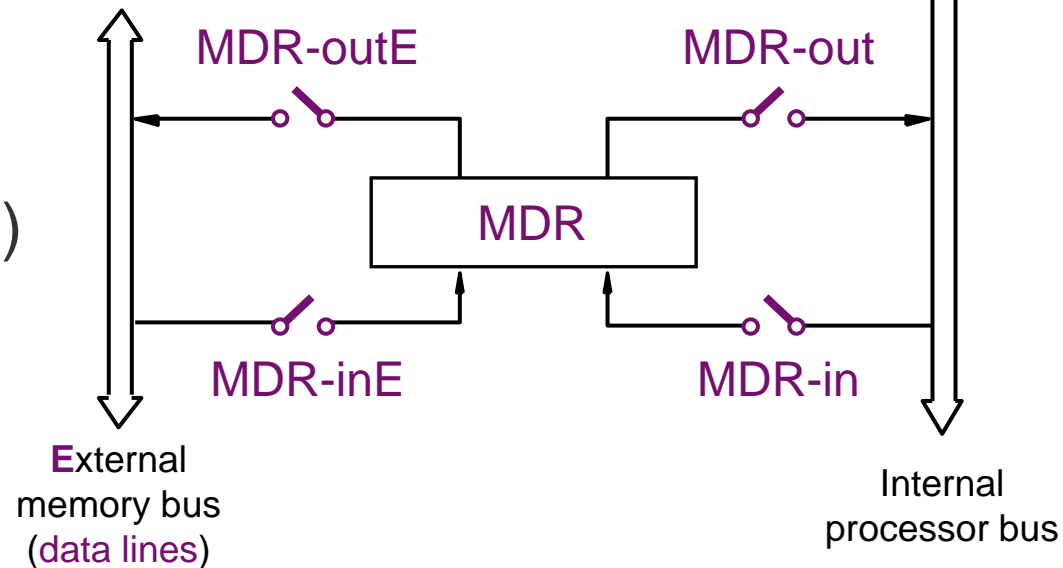
- **MAR**: Memory Address Register

- Uni-directional bus (\leftarrow)
- Connect to the **address lines** directly



- **MDR**: Memory Data Register

- Bi-directional bus (\leftrightarrow)
- MDR connections to buses are all controlled by switches ($\text{---}\text{---}$).

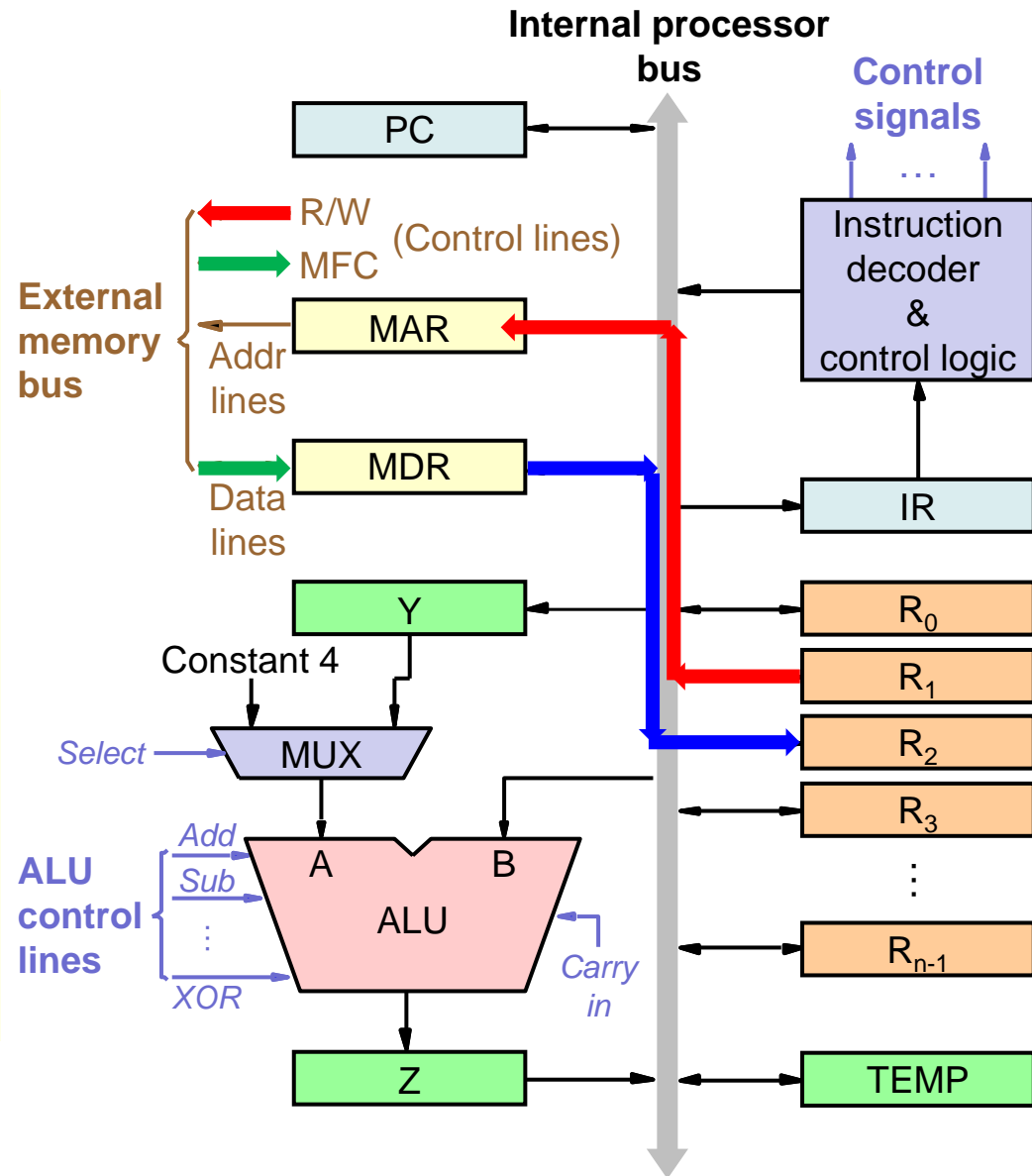


3) Loading Word from Memory (Cont'd)

- Ex: **Mov R2, (R1)**

Sequence of Steps:

- ① **→** R1-out, MAR-in, Read (*start to load a word from memory*)
- ② **→** MDR-inE, WaitMFC (*wait until the loading is completed*)
- ③ **→** MDR-out, R2-in



3) Loading Word from Memory (Cont'd)

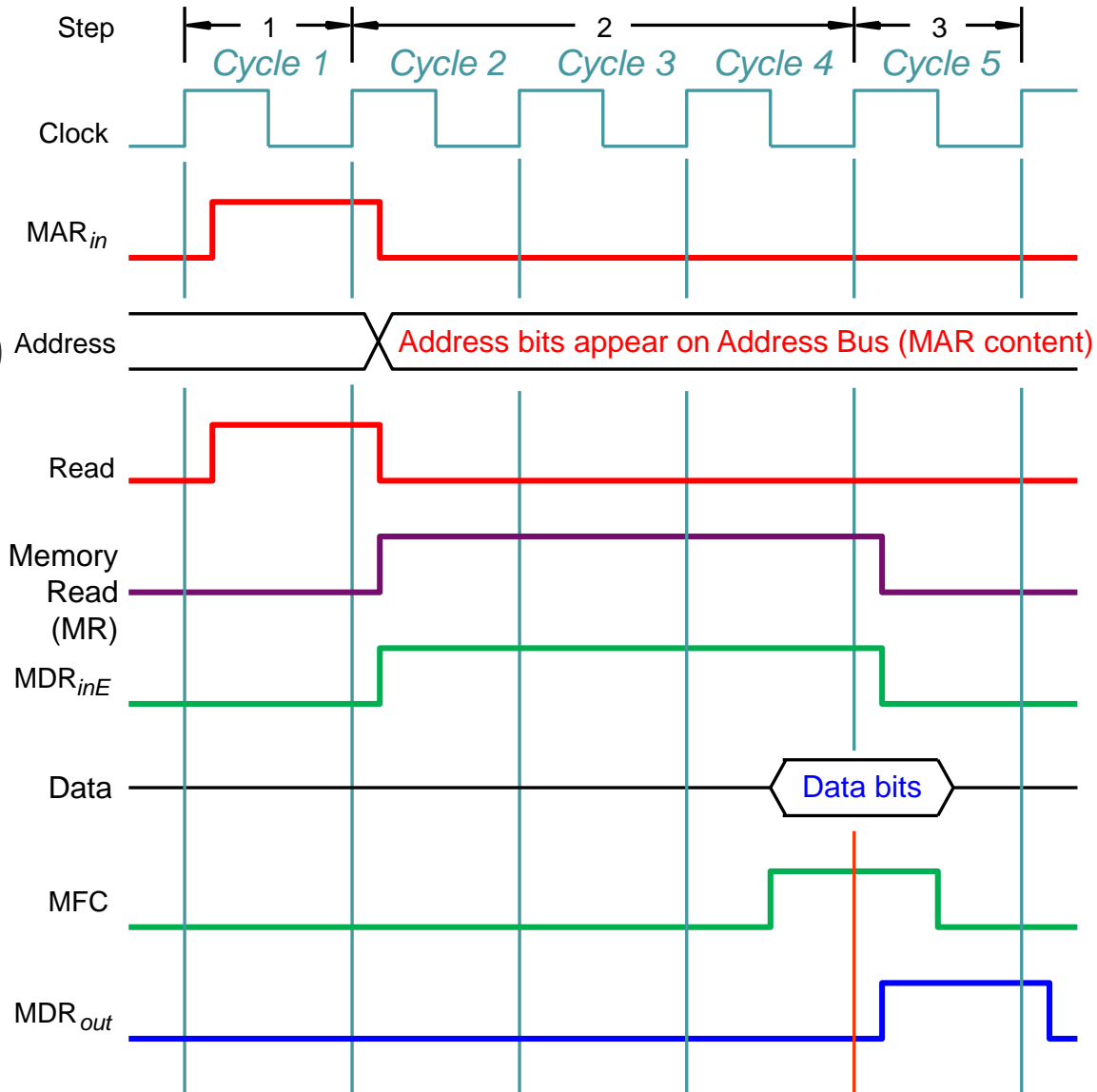
• Timing Sequence:

① → R1-out (not shown),
MAR-in,
Read (start to read
a word from memory)

=== assume memory
read takes 3 cycles ===

② → MDR-inE,
WaitMFC (wait
until the loading is
completed)

③ → MDR-out,
R2-in (not shown)

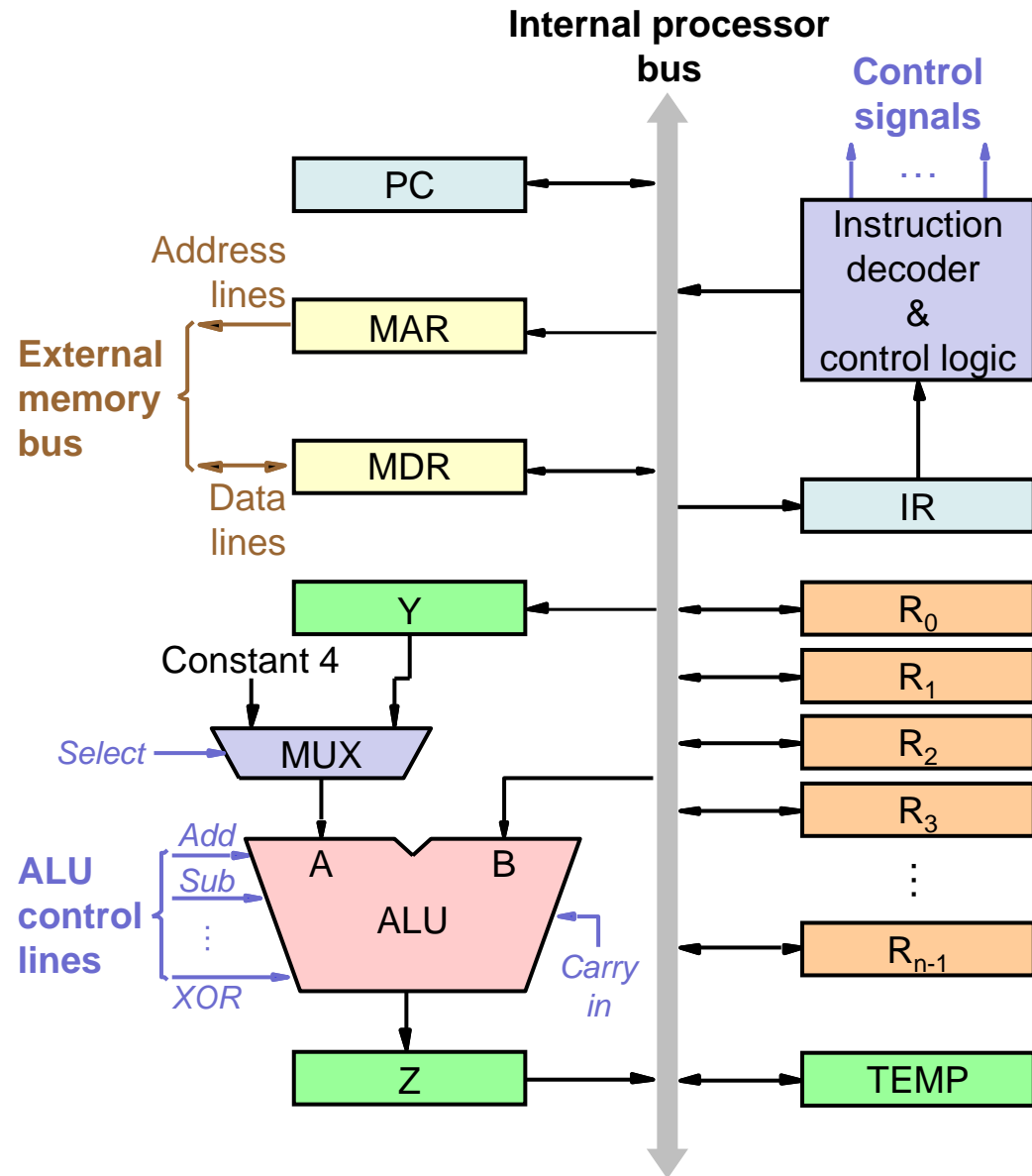


Class Exercise 10.3



- What is the sequence of steps for the following operation?

Mov R4, (R3)



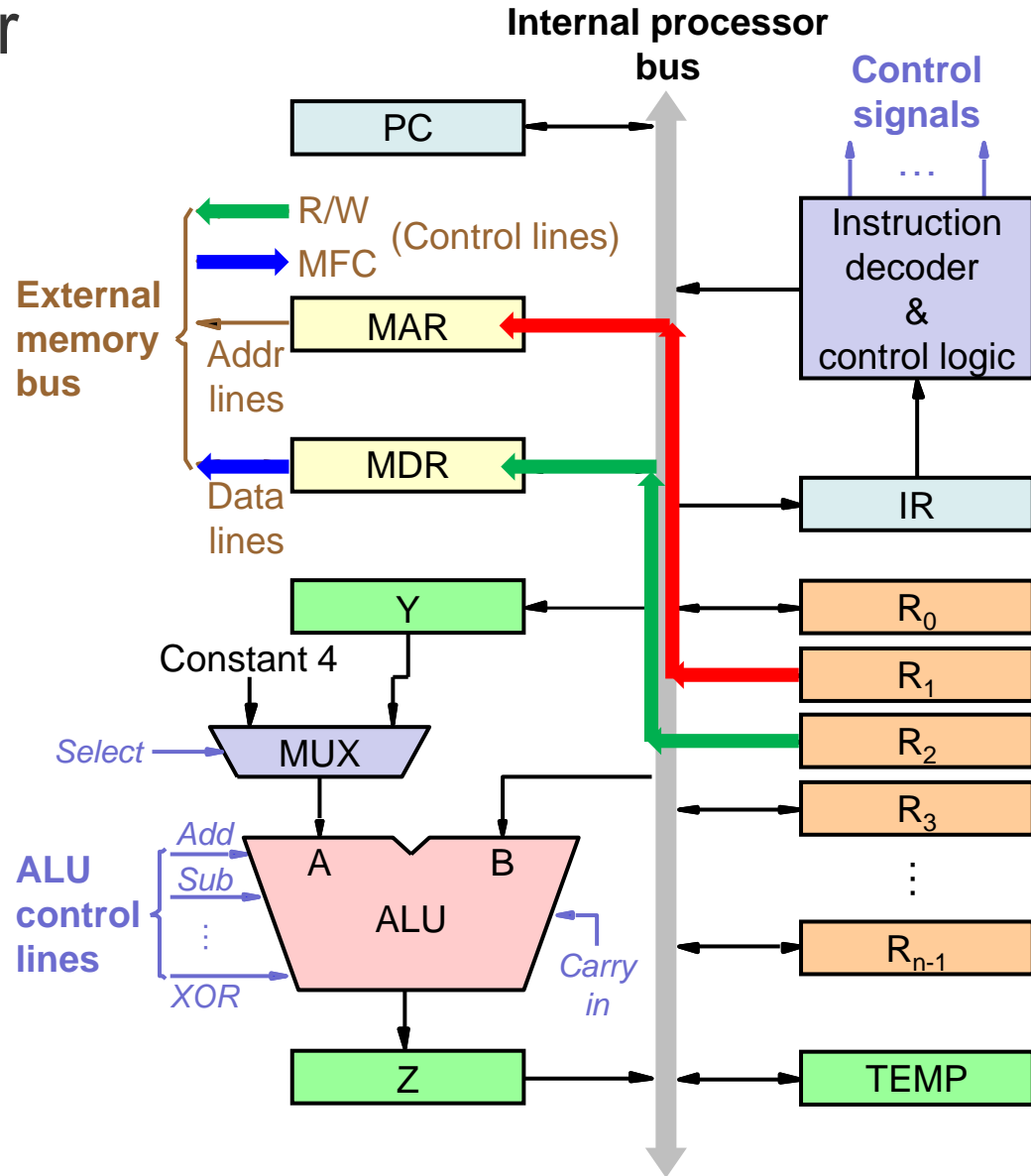
4) Storing Word to Memory



- This operation is similar to the previous one.
- Ex: **Mov (R1), R2**

Sequence of Steps:

- ① → R1-out, MAR-in
- ② → R2-out, MDR-in, Write (start to store a word into memory)
- ③ → MDR-outE, WaitMFC (wait until the storing is completed)

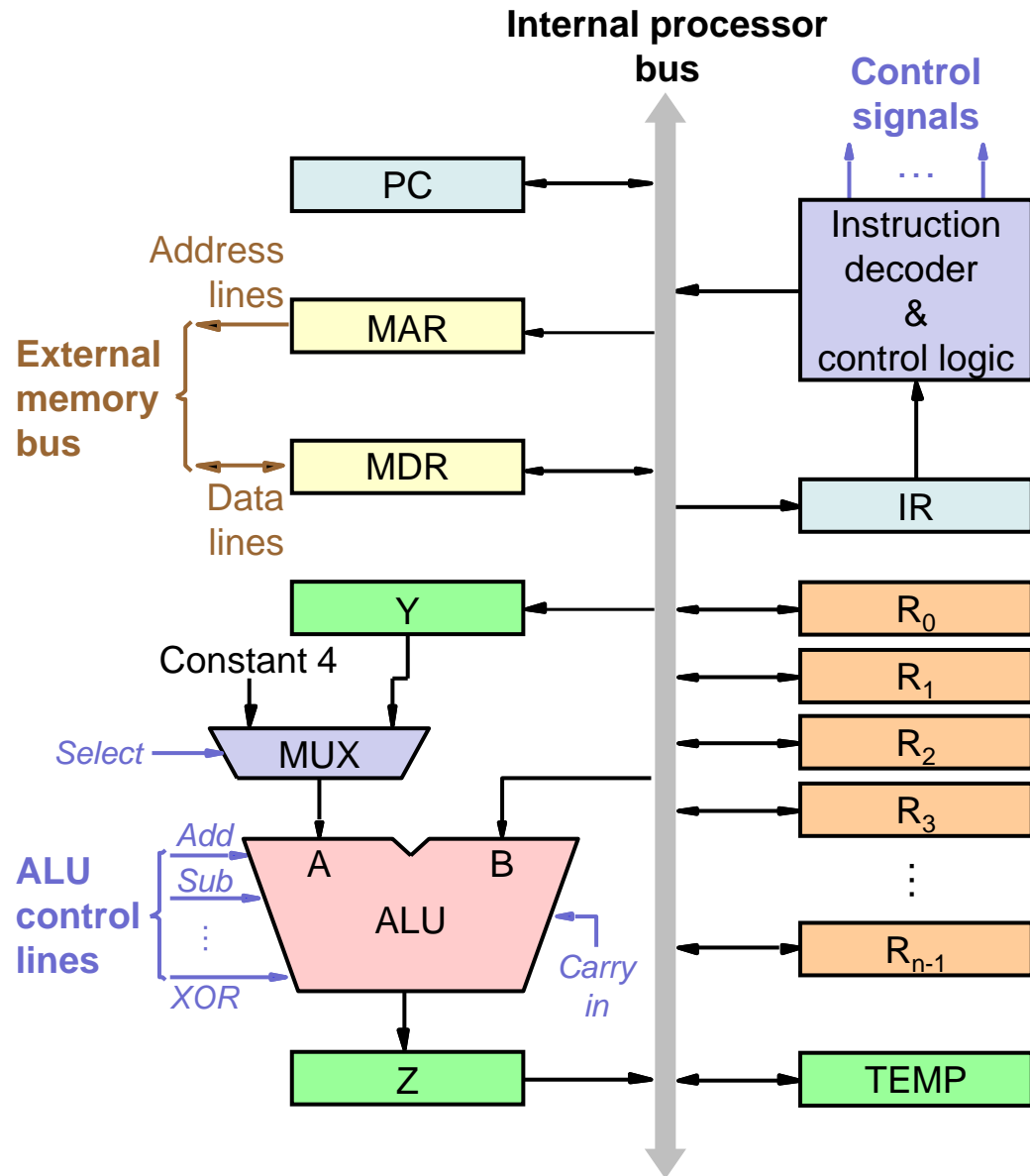


Class Exercise 10.4



- What is the sequence of steps for the following operation?

Mov (R3), R4



Loading Word vs Storing Word



- **Loading Word**

- Ex: **Mov R2, (R1)**

① R1-out,
MAR-in,
Read

② **MDR-inE**,
WaitMFC

③ **MDR-out**,
R2-in

- **Storing Word**

- Ex: **Mov (R1), R2**

① R1-out,
MAR-in

② R2-out,
MDR-in,
Write

③ **MDR-outE**,
WaitMFC

Revisit: Fetch Phase



- **Fetch Phase:** The first phase of machine instruction execution

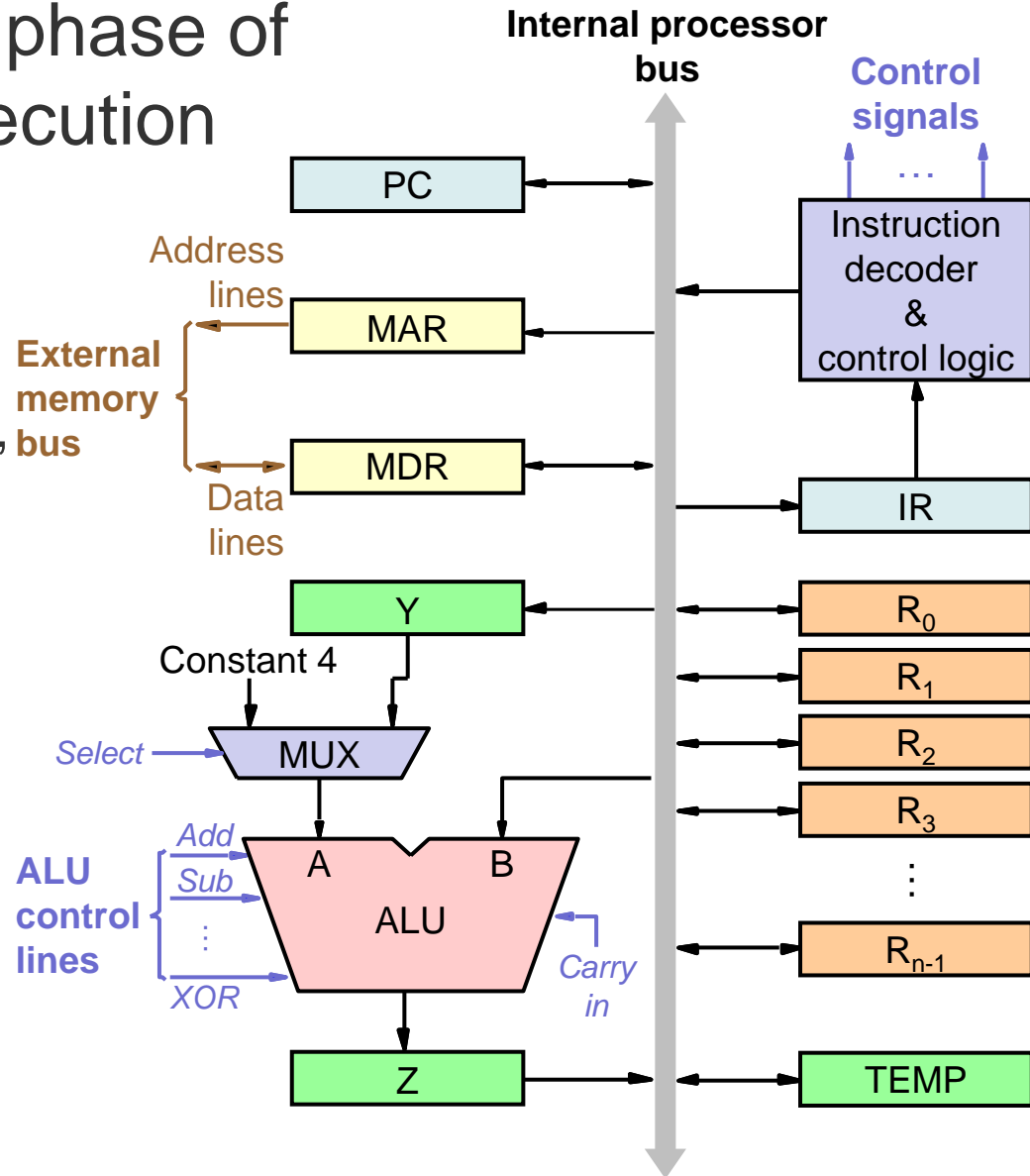
– $IR \leftarrow [PC]$

- Fetch the instruction from the memory location pointed to by PC, and load it into IR

– $PC \leftarrow [PC]+4$

- Increment the contents of PC by 4

- What is the sequences of steps for the fetch phase with the highest parallelism?



Fetch Phase (1/3)



- Ex: **Fetch Phase**

Sequence of Steps:

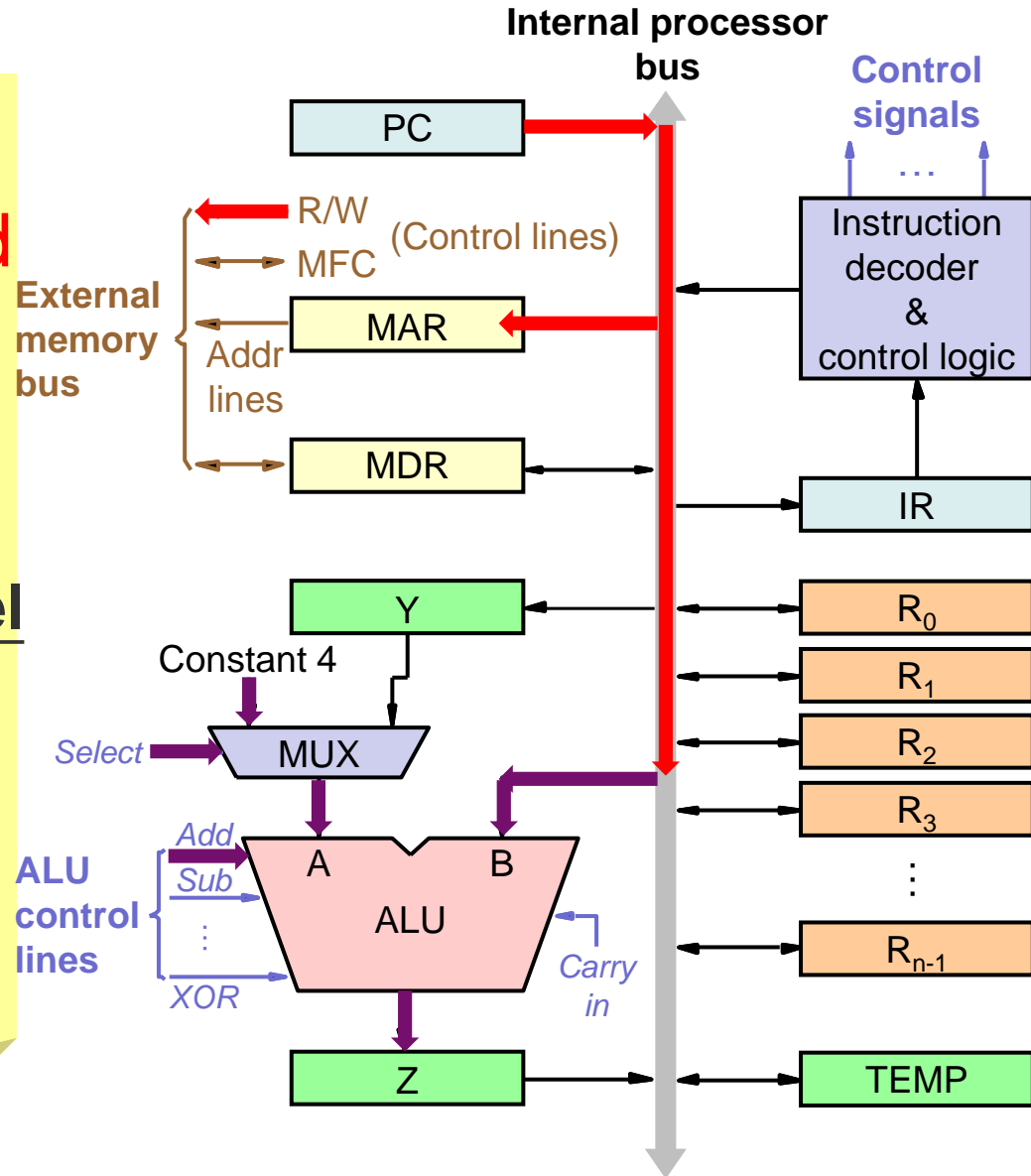
① **PC-out, MAR-in, Read Select-4, B-in, Z-in, Add**

➔ **Fetch the instruction**

➔ **Increment PC in parallel**

② **MDR-in, Wait MFC, Z-out, PC-in, Y-in**
– Y-in is for branch (discuss later).

③ **MDR-out, IR-in**



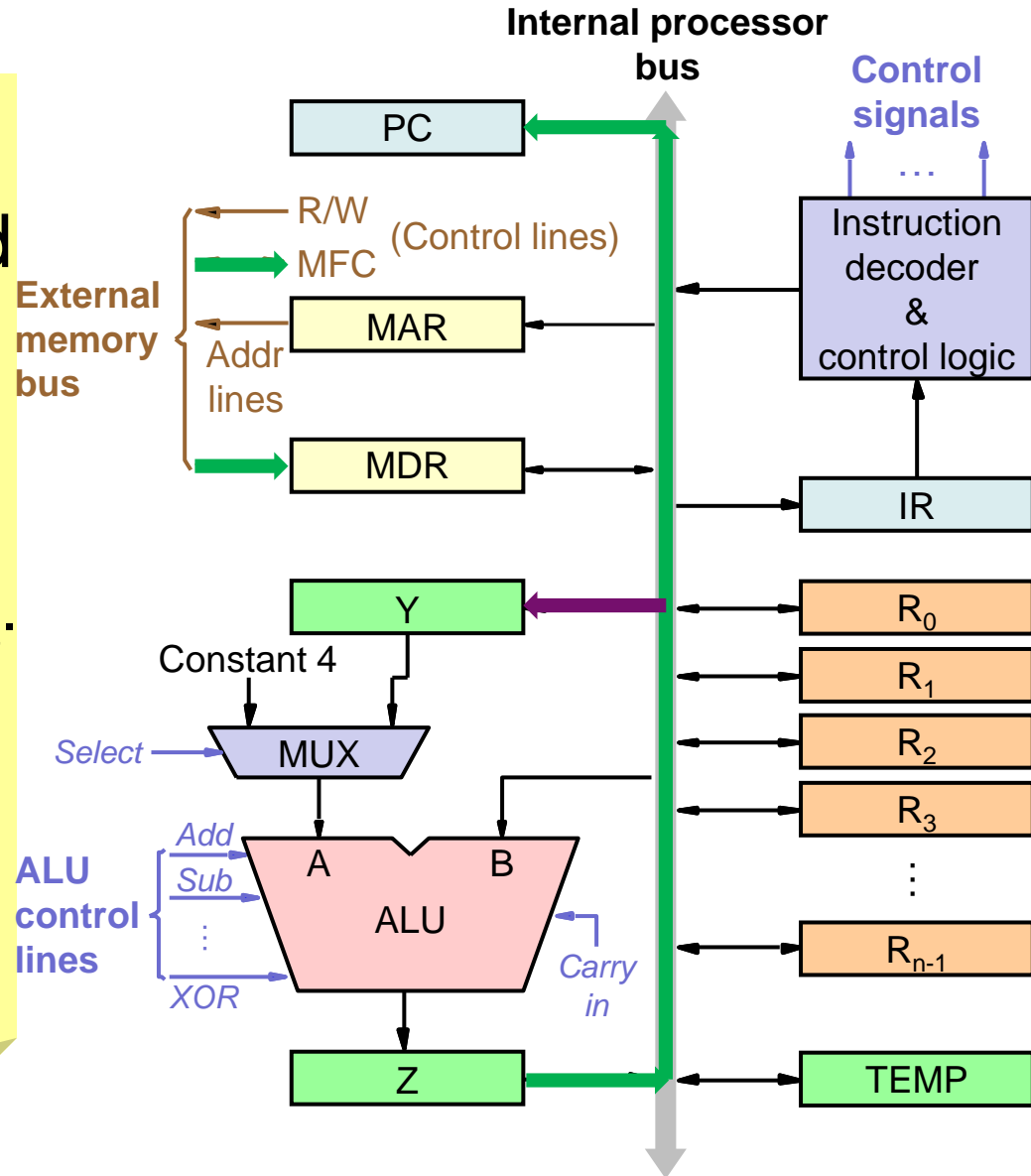
Fetch Phase (2/3)



Ex: Fetch Phase

Sequence of Steps:

- ① PC-out, MAR-in, Read Select-4, B-in, Z-in, Add
 - Fetch the instruction
 - Increment PC in parallel.
- ② → MDR-in, Wait MFC Z-out, PC-in, Y-in
 - Y-in is for branch (discuss later).
- ③ MDR-out, IR-in



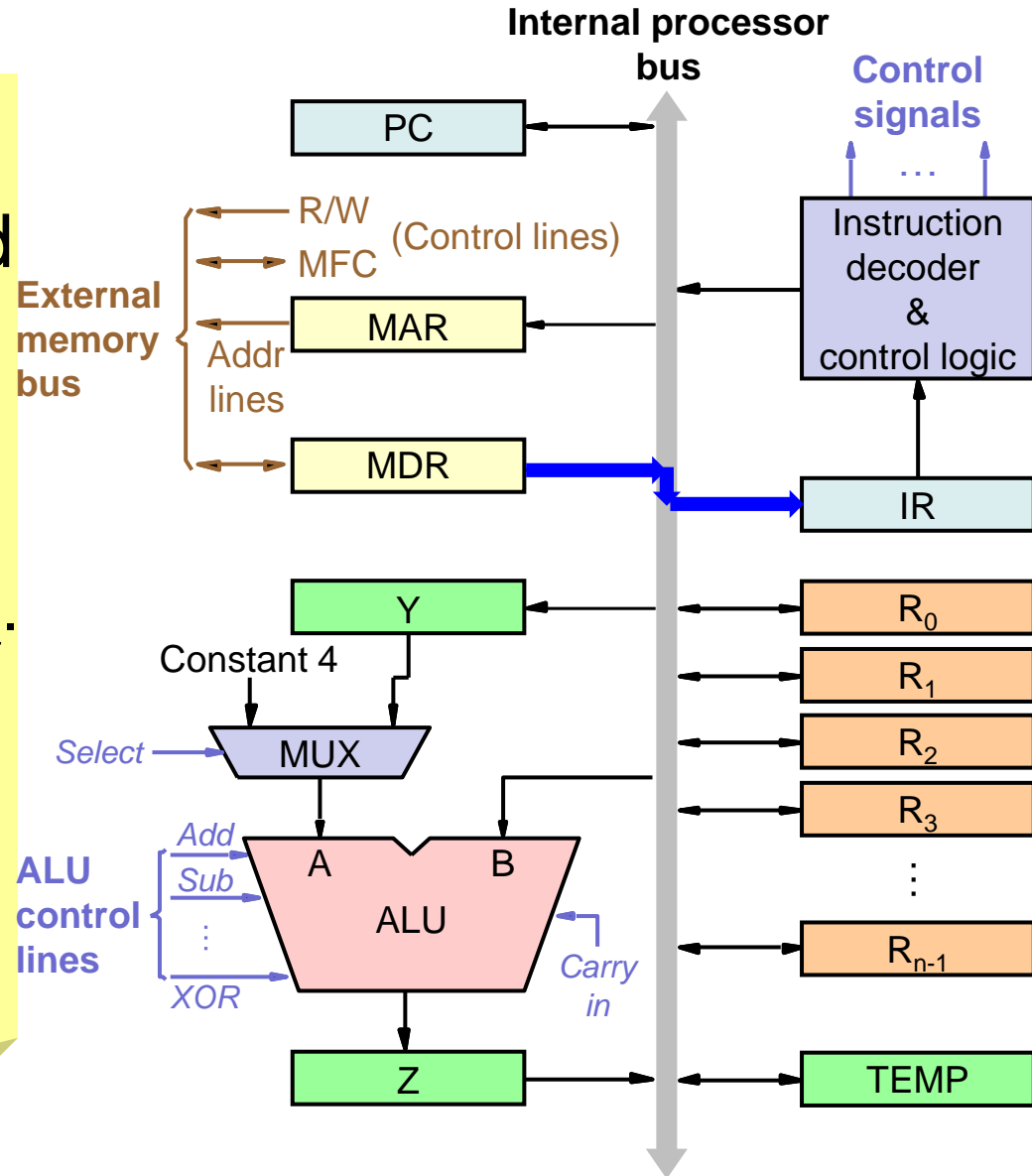
Fetch Phase (3/3)



- Ex: **Fetch Phase**

Sequence of Steps:

- ① PC-out, MAR-in, Read Select-4, B-in, Z-in, Add
 - Fetch the instruction
 - Increment PC in parallel.
- ② MDR-in, Wait MFC, Z-out, PC-in, Y-in
 - Y-in is for branch (discuss later).
- ③ **MDR-out, IR-in**



Observations and Insights



- The **internal processor bus** and the **external memory bus** can be operated independently (concurrently).
 - Since the separation provided by MAR and MDR.
- **Independent operations** imply the possibility of performing some steps **in parallel**.
 - E.g., memory access and PC increment, instruction decoding and reading source register
- During memory access, processor waits for **MFC**.
 - There is **NOTHING TO DO BUT WAIT** for few cycles.
 - *Question: Any way to improve this situation?*



- Processor Internal Structure
- Instruction Execution
 - Fetch Phase
 - Execute Phase
- **Execution of A Complete Instruction**
- Multiple-Bus Organization

Example 1) ADD R1, (R3) (1/3)



- Instruction Execution: **Fetch Phase** & **Execute Phase**

Sequence of Steps:

1) Fetch the instruction

① PC-out, MAR-in, Read
Select-4, B-in, Z-in, Add

2) Decode the instruction

② MDR-inE, WaitMFC
Z-out, PC-in, Y-in

3) Load the operand [R3]
from memory

③ MDR-out, IR-in

④ **DecodeInstruction**

4) Perform the addition

⑤ R3-out, MAR-in, Read

⑥ R1-out, Y-in, MDR-inE,
WaitMFC

5) Store result to R1

⑦ MDR-out, SelectY, Add, Z-in,
B-in

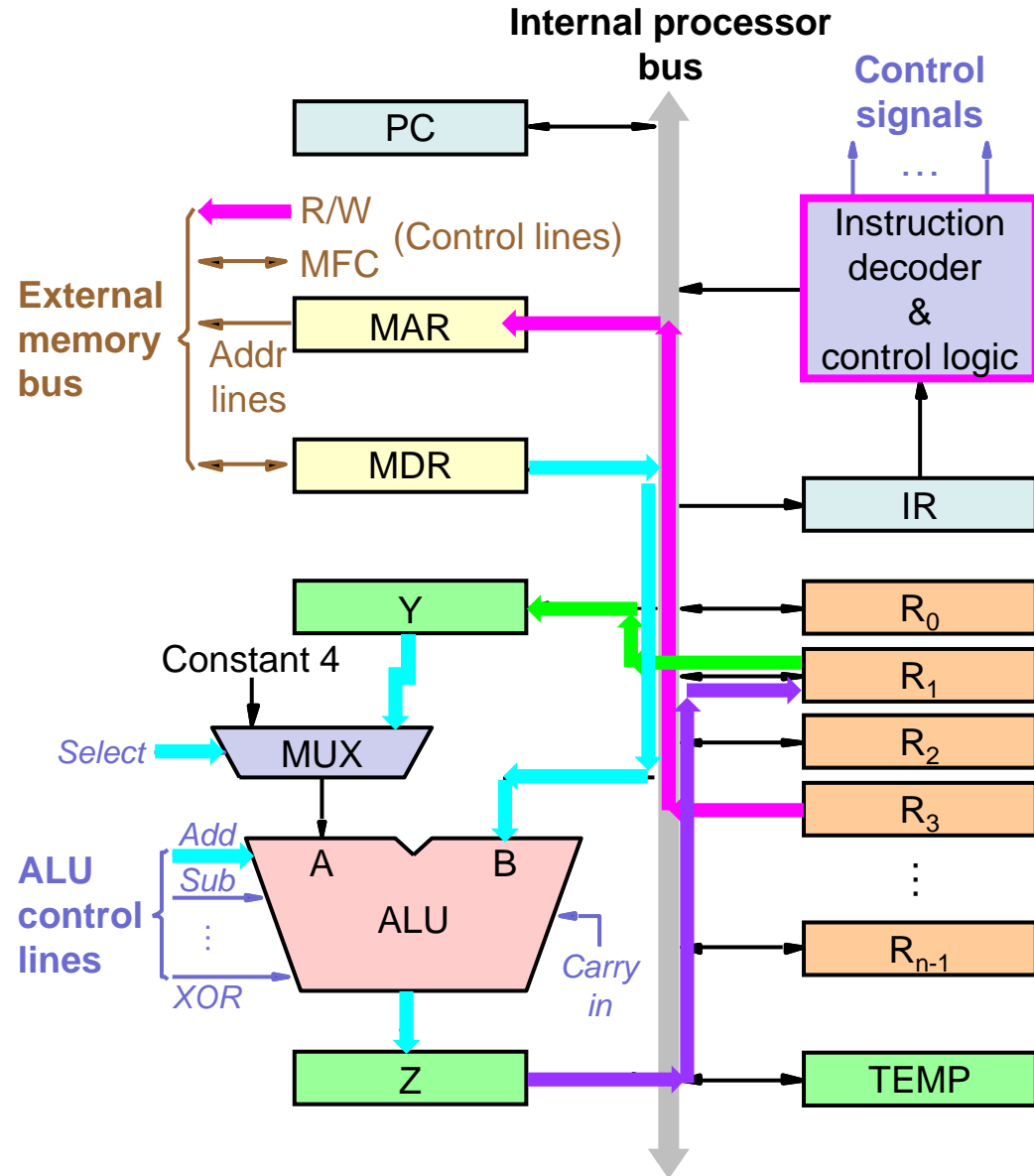
⑧ Z-out, R1-in

Example 1) ADD R1, (R3) (2/3)



Sequence of Steps:

- ① PC-out, MAR-in, Read Select-4, B-in, Z-in, Add
- ② MDR-inE, WaitMFC Z-out, PC-in, Y-in
- ③ MDR-out, IR-in
- ④ DecodeInstruction
- ⑤ → R3-out, MAR-in, Read
- ⑥ → R1-out, Y-in, MDR-inE, WaitMFC
- ⑦ → MDR-out, SelectY, Add, Z-in, B-in
- ⑧ → Z-out, R1-in



Example 1) ADD R1, (R3) (3/3)



- Detailed Explanation for Sequence of Steps:
 - ① PC loaded into MAR, read request to memory, MUX selects 4, added to PC (B-in) in ALU, store sum in Z
 - ② Z moved to PC (and Y) while waiting for memory
 - ③ Word fetched from memory and loaded into IR
 - ④ **Instruction Decoding**: Figure out what the instruction should do and set control circuitry for steps 4 – 7
 - ⑤ R3 transferred to MAR, read request to memory
 - ⑥ Content of R1 moved to Y while waiting for memory
 - ⑦ Read operation completed, the loaded word is already in MDR and copied to B-in of ALU, Select Y as second input of ALU, add performed
 - ⑧ Result is transferred to R1

Example 2) Branch Instruction (1/2)



- Instruction Execution: **Fetch Phase** & **Execute Phase**

Sequence of Steps:

1) Fetch the instruction

① PC-out, MAR-in, Read Select-4, B-in, Z-in, Add

2) Decode the instruction

② MDR-inE, WaitMFC Z-out, PC-in, **Y-in**

3) Add the offset specified in the instruction (**Offset-field-of-IR**) to the PC

③ MDR-out, IR-in

④ **DecodeInstruction**

4) Update the PC

⑤ **Offset-field-of-IR-out**, SelectY, Add, Z-in, B-in

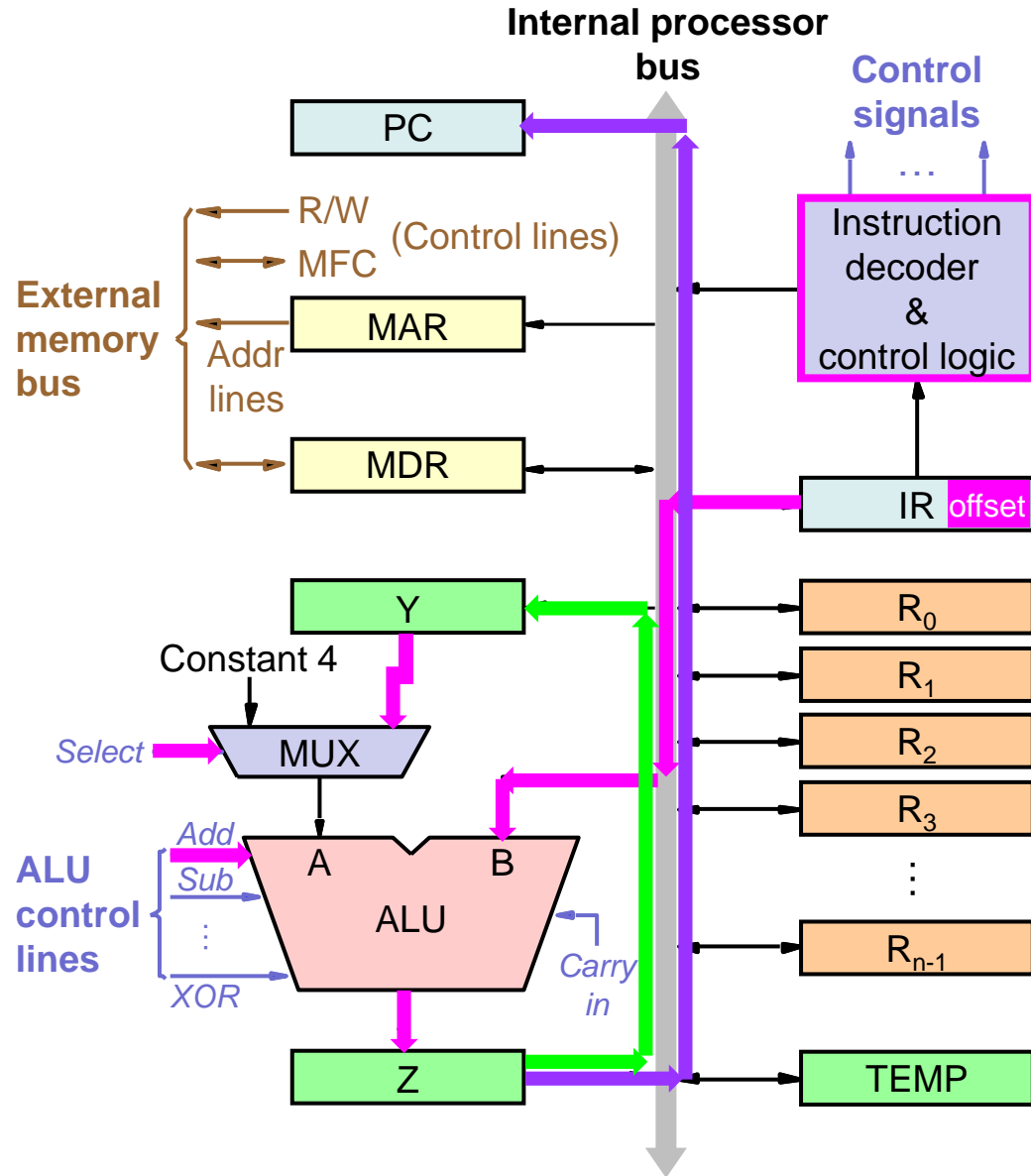
⑥ Z-out, PC-in

Example 2) Branch Instruction (2/2)



Sequence of Steps:

- ① PC-out, MAR-in, Read Select-4, B-in, Z-in, Add
- ② → MDR-in, Wait MFC Z-out, PC-in, Y-in
- ③ MDR-out, IR-in
- ④ Decode Instruction
- ⑤ → Offset-field-of-IR-out, Select Y, Add, Z-in, B-in
- ⑥ → Z-out, PC-in



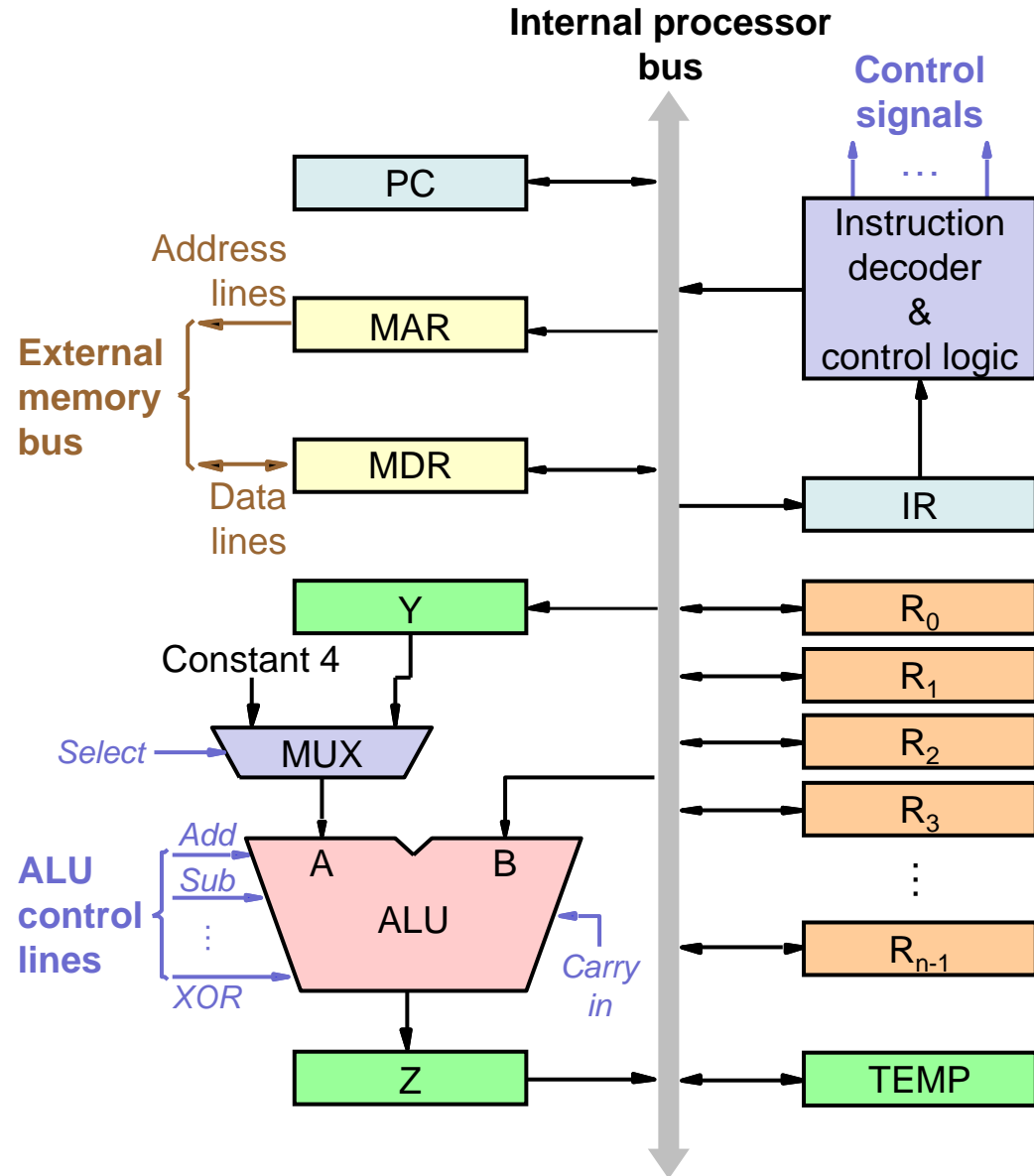
Class Exercise 10.5

Student ID: _____ Date: _____

Name: _____

- What is the sequence of steps for the following operation?

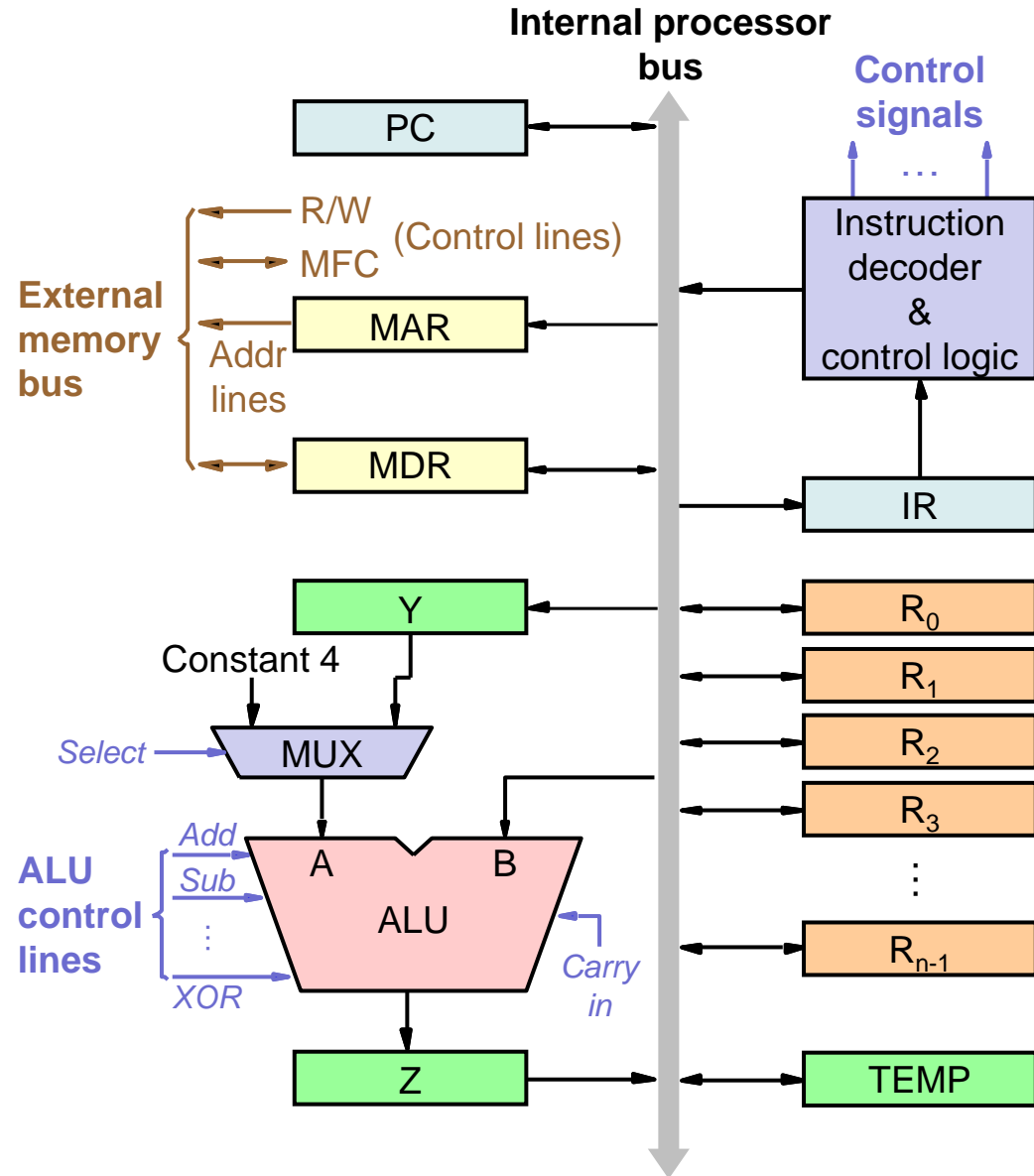
$$R6 \leftarrow [R4] + [R5]$$



Class Exercise 10.6



- What are the purposes or functionalities of the special registers Y, Z, and TEMP?



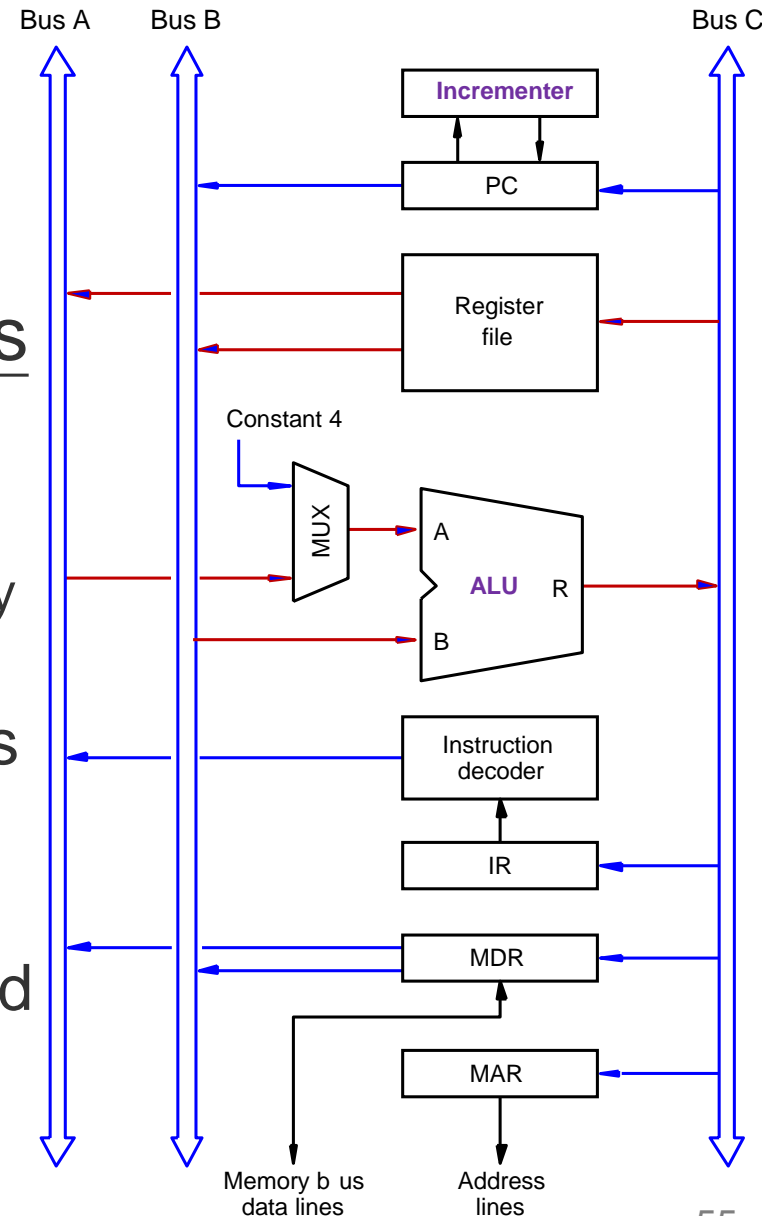


- Processor Internal Structure
- Instruction Execution
 - Fetch Phase
 - Execute Phase
- Execution of A Complete Instruction
- **Multiple-Bus Organization**

Multiple Internal Buses (1/2)



- Disadvantage of single bus:
Only one data item can be transferred internally **at a time**.
- Solution: Multiple Internal Buses
 - All registers combined into a register file with 3 ports
 - TWO out-ports and ONE in-port (Why 3? Instruction format!).
 - Buses A and B allow simultaneous transfer of the two operands for the ALU.
 - Bus C can transfer data into a third register during the same clock cycle.

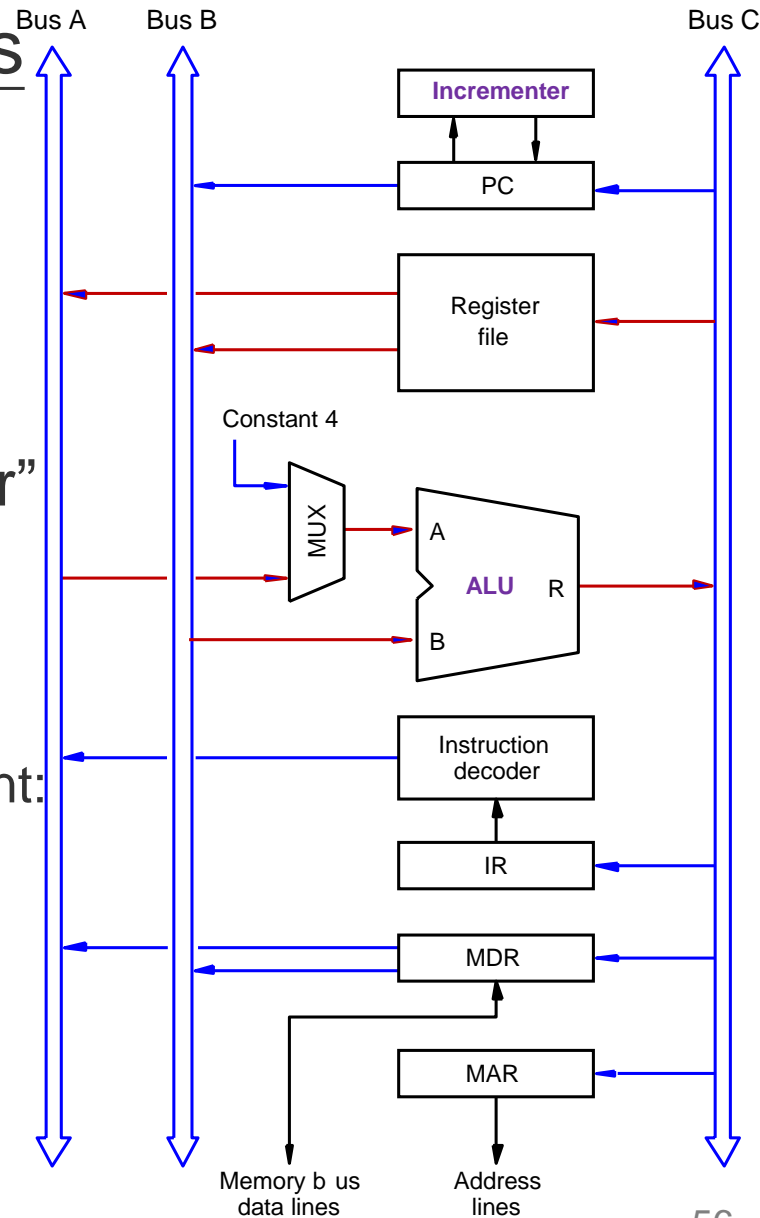


Multiple Internal Buses (2/2)



- Solution: Multiple Internal Buses

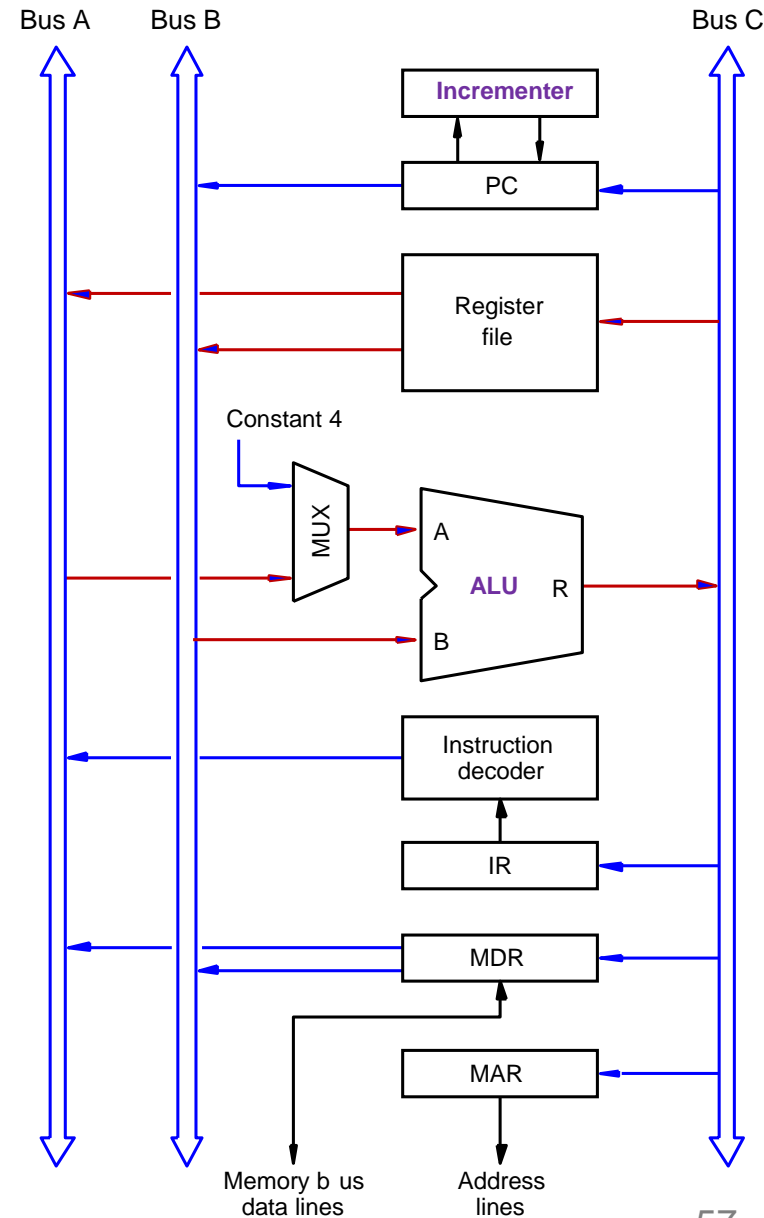
- ALU is able to just pass one of its operands to output R
 - E.g. $R=A$ or $R=B$
- Employ an additional “Incrementer” unit to compute $[PC]+4$ (**IncPC**)
 - ALU is not used for incrementing PC.
 - ALU still has a Constant 4 input for other instructions (e.g., post-increment: $[SP]++$ for stack push).



Class Exercise 10.7



- Can you tell what does the following execution do?
 - ① PC-out, MAR-in, Read, **R=B**
 - ② MDR-inE, WaitMFC, **IncPC**
 - ③ MDR-out, IR-in, **R=B**
 - ④ DecodeInstruction
 - ⑤ **R4-outA, R5-outB, SelectA, Add, R6-in**





- Processor Internal Structure
- Instruction Execution
 - Fetch Phase
 - Execute Phase
- Execution of A Complete Instruction
- Multiple-Bus Organization